

Price: \$3.75

Keyboard Printer and Punch
Logic Layouts,
Current and History

SDS 900888B

August 1966

This publication supersedes SDS 900888A-1
dated April 1965, revised January 1966.

SDS

SCIENTIFIC DATA SYSTEMS • 1649 Seventeenth Street • Santa Monica, Calif. • (213) 871-0960

©1965, 1966, Scientific Data Systems, Inc.

LIST OF EFFECTIVE PAGES

Total number of pages is 58, as follows:

Page No.	Issue	Page No.	Issue
Title	Original		
A	Original		
1 thru 56	Original		

REVISIONS			
REV.	DESCRIPTION	CHK	DATE
A	RELEASED TO MFG.	W. Bice	1/5/64

107419 | A |

REFERENCE DESIGNATIONS
ARE ABBREVIATED.
PREFIX THE DESIGNATION
WITH UNIT NUMBER
OR ASSEMBLY DESIGNATION
OR BOTH. (MIL. STD. 16B)

PAGE	CHG	PAGE	CHG	PAGE	CHG	PAGE	CHG	PAGE	CHG
16	A								
1	A								
2	A								
3	A								
4	A								
5	A								
6	A								
7	A								
8	A								
9	A								
10	A								
11	A								
12	A								
13	A								
14	A								
15	A								
16	A								

NOTES:
1. REV LETTERS LISTED INDICATE STATUS OF EACH SHEET
OF THIS MULTIPLE SHEET DRAWING.
2. CHECK INDIVIDUAL SHEETS FOR REV LETTER AGAINST
THIS SHEET BEFORE USING THIS DRAWING.

KEYBOARD/PRINTER
& PUNCH
PAGE 14
A

NO. 9234	DRAWING NO.	DESCRIPTION	REFERENCE DESIGNATION	TYPE D
NOTES UNLESS SPECIFIED		DRAWN <i>W. Bice</i> 1/5/64	MATERIAL LIST	
1. TOLERANCES IN 2 AND ANGULAR DIM. 2 AND 2 1/2"		CHECK <i>W. Bice</i> 1/5/64	TITLE	
2. BREAK ALL SHARP EDGES 5:10 APPROX.		APPR. <i>W. Bice</i> 1/5/64	SDS SCIENTIFIC DATA SYSTEMS SANTA MONICA, CALIFORNIA	
3. HATCH SURFACES <input checked="" type="checkbox"/>		DIAGRAM, LOGIC KEYBOARD/PRINTER & PUNCH		
4. ALL DIM. IN INCHES		MODEL NO. 9234		
NEXT ASSY. 107476		DWG. NO. 107419		
		SCALE DO NOT SCALE DRAWING SHEET		

PAGE	CHG	PAGE	CHG	PAGE	CHG	PAGE	CHG	PAGE	CHG	PAGE	CHG	PAGE	CHG	PAGE	CHG
1a	B														
1	A														
2	B														
3	B														
4	B														
5	B														
6	B														
7	B														
8	B														
9	B														
10	A														
11	B														
12	B														
13	A														
14	A														
15	B														
16	A														

REFERENCE DESIGNATIONS
ARE ABBREVIATED.
PREFIX THE DESIGNATION
WITH UNIT NUMBER
OR ASSEMBLY DESIGNATION
OR BOTH. (MIL. STD. 16B)

NOTES:
1. REV LETTERS LISTED INDICATE STATUS OF EACH SHEET
OF THIS MULTIPLE SHEET DRAWING.
2. CHECK INDIVIDUAL SHEETS FOR REV LETTER AGAINST
THIS SHEET BEFORE USING THIS DRAWING.

KEYBOARD/PRINTER
& PUNCH
PAGE 1a
B

REVISIONS			
REV.	DESCRIPTION	CHK	DATE
A	RELEASED TO MFG.	W. Bice	11/5/64
B	SEE REVISION E O	W. Bice	11/5/64

NO. 100	DRAWING NO.	DESCRIPTION	REFERENCE DESIGNATION	ITEM NO.
MATERIAL LIST				
NOTES UNLESS SPECIFIED		DRAWN	DATE	
1. TOLERANCES 20 1.000 ANGULAR 30 2.000 2.0"		CHECK	11/5/64	
2. BREAK ALL SHARP EDGES BY APPROX.		APPR.	W. Bice 11/5/64	
3. BACK SURFACES <input checked="" type="checkbox"/>				
4. ALL DIM. IN INCHES				
MODEL NO. 9234		SDS SCIENTIFIC DATA SYSTEMS SANTA MONICA, CALIFORNIA		
NEXT ASSY. 107476		TITLE DIAGRAM, LOGIC KEYBOARD/PRINTER & PUNCH		
		REV. D	DWG. NO. 107419	CHANGE LETTER B
		SCALE DO NOT SCALE DRAWING SHEET		

107419 B

PAGE	CMG	PAGE	CMG	PAGE	CMG	PAGE	CMG	PAGE	CMG	PAGE	CMG	PAGE	CMG
14	B												
1	A												
2	B												
3	B												
4	B												
5	B												
6	B												
7	B												
8	B												
9	B												
10	A												
11	B												
12	B												
13	A												
14	A												
15	B												
16	C												

REFERENCE DESIGNATIONS
ARE ABBREVIATED.
PREFIX THE DESIGNATION
WITH UNIT NUMBER
OR ASSEMBLY DESIGNATION
OR BOTH. (MIL. STD. 168)

- NOTES:
1. REV LETTERS LISTED INDICATE STATUS OF EACH SHEET
OF THIS MULTIPLE SHEET DRAWING.
2. CHECK INDIVIDUAL SHEETS FOR REV LETTER AGAINST
THIS SHEET BEFORE USING THIS DRAWING.

KEYBOARD/PRINTER
& PUNCH
PAGE 14
C

REVISIONS				107419	C
REV.	DESCRIPTION	CHK	DATE	APPROVED	
A	RELEASED TO MFG.	<i>[Signature]</i>	1/5/64	<i>[Signature]</i>	
B	SEE REVISION E O	<i>[Signature]</i>	1/5/64	<i>[Signature]</i>	
C	SEE REVISION E O	<i>[Signature]</i>	1/5/64	<i>[Signature]</i>	

DRAWING NO.		DESCRIPTION		REFERENCE DESIGNATION		REV	
9234		DIAGRAM, LOGIC KEYBOARD/PRINTER & PUNCH		D		107419	
107476		SCALE		SHEET 12 OF 16		C	

MATERIAL LIST

REVISED UNLESS SPECIFIED	DATE	BY	REVISED UNLESS SPECIFIED	DATE	BY
1. TOLERANCES UNLESS SPECIFIED AS SHOWN	0-5-64	<i>[Signature]</i>	2. DIMENSIONS UNLESS SPECIFIED AS SHOWN	1/5/64	<i>[Signature]</i>
3. READ ALL DIMENSIONS AND DIMENSIONS			4. CHECK DIMENSIONS AS SHOWN	1/5/64	<i>[Signature]</i>
5. ALL DIMENSIONS					

SDS
SCIENTIFIC DATA SYSTEMS
DATA SERVICE CORPORATION


PAGE	CHG	PAGE	CHG	PAGE	CHG	PAGE	CHG	PAGE	CHG	PAGE	CHG	PAGE	CHG
1A	D												
1	A												
2	B												
3	B												
4	B												
5	B												
6	B												
7	B												
8	B												
9	B												
10	A												
11	B												
12	B												
13	A												
14	A												
15	B												
16	D												

REFERENCE DESIGNATIONS
ARE ABBREVIATED.
PREFIX THE DESIGNATION
WITH UNIT NUMBER
OR ASSEMBLY DESIGNATION
OR BOTH. (MIL. STD. 168)

- NOTES:
1. REV LETTERS LISTED INDICATE STATUS OF EACH SHEET
OF THIS MULTIPLE SHEET DRAWING.
2. CHECK INDIVIDUAL SHEETS FOR REV LETTER AGAINST
THIS SHEET BEFORE USING THIS DRAWING.

KEYBOARD/PRINTER
& PUNCH
PAGE 14
D

REVISIONS				107419	D
REV.	DESCRIPTION	CHK	DATE	APPROVED	
A	RELEASED TO MFG.		5-11-64	W. Bice	
B	SEE REVISION E O		7/1/64	W. Bice	
C	SEE REVISION E O				
D	SEE REVISION E O				

SDS NO.	DRAWING NO.	DESCRIPTION	REFERENCE DESIGNATION	ITER NO.
NOTES UNLESS SPECIFIED		MATERIAL LIST		
1. TOLERANCES IN 2 000 ANGULAR AND 2 010 2 W	DRAWN <i>W. Bice</i>	0-3-64	 DIAGRAM, LOGIC KEYBOARD/PRINTER & PUNCH	
2. BREAK ALL SHARP EDGES BY APPROX.	CHECK <i>W. Bice</i>	11/5/64		
3. BACK SURFACES 4. ALL DIM. IN INCHES	APPR. <i>W. Bice</i>	11/5/64		
MODEL NO. 9234			REV. NO. D 107419	LAYER C
NEXT ASSY. 107476			SCALE	DO NOT SCALE DRAWING
		SHEET 12 OF 16		

107419 | D |

PAGE	CHG	PAGE	CHG	PAGE	CHG	PAGE	CHG	PAGE	CHG	PAGE	CHG	PAGE	CHG
1A	A												
2	B												
3	B												
4	B												
5	B												
6	B												
7	B												
8	B												
9	B												
10	A												
11	F												
12	B												
13	A												
14	A												
15	B												
16	D												

REFERENCE DESIGNATIONS ARE ABBREVIATED. PREFIX THE DESIGNATION WITH UNIT NUMBER OR ASSEMBLY DESIGNATION OR BOTH. (MIL. STD. 16B)

NOTES:
 1. REV LETTERS LISTED INDICATE STATUS OF EACH SHEET OF THIS MULTIPLE SHEET DRAWING.
 2. CHECK INDIVIDUAL SHEETS FOR REV LETTER AGAINST THIS SHEET BEFORE USING THIS DRAWING.

KEYBOARD/PRINTER
 & PUNCH
 PAGE 1a
 E

REVISIONS				
REV.	DESCRIPTION	CHK	DATE	APPROVED
A	RELEASED TO MFG.			
B	SEE REVISION E O			
C	SEE REVISION E O			
D	SEE REVISION E O			
E	SEE REVISION E O			

900888

NO. REV.	DRAWING NO.	DESCRIPTION	REFERENCE DESIGNATION	ITEM NO.
		107476		
NOTES UNLESS SPECIFIED		DRAWN: [Signature] 11-5-64 CHECK: [Signature] 11/5/64 APPR: [Signature] 11-7-64	SIDS SCIENTIFIC DATA SYSTEMS SANTA MONICA, CALIFORNIA	
1. TOLERANCES UNLESS SPECIFIED: ANGLES: 2" M ALL DIMS: .0005 UNLESS SPECIFIED		TITLE	DIAGRAM, LOGIC KEYBOARD/PRINTER & PUNCH	
MODEL NO.	9234		REV.	DWG NO.
SHEET AMOUNT	107476		D	107419
			SCALE	DO NOT SCALE DRAWING
				SHEET 1 of 5

107419 | E |


REVISIONS				107419
REV.	DESCRIPTION	CHK	DATE	APPROVED
A	RELEASED TO MFG.			
B	SEE REVISION E O			
C	SEE REVISION E O			
D	SEE REVISION E O			
E	SEE REVISION E.O.			
F	SEE REV E.C.			

KEYBOARD/PRINTER
& PUNCH
PAGE 14
F

REFERENCE DESIGNATIONS
ARE ABBREVIATED.
PREFIX THE DESIGNATION
WITH UNIT NUMBER
OR ASSEMBLY DESIGNATION
OR BOTH. (MIL. STD. 168)

PAGE	CHK	DATE	CHK	DATE	CHK	DATE
18						
1	A					
2	B					
3	C					
4	D					
5	E					
6	F					
7						
8						
9						
10						
11						
12						
13						
14						
15						
16						

NOTES:
1. REV LETTERS LISTED INDICATE STATUS OF EACH SHEET
OF THIS MULTIPLE SHEET DRAWING.
2. CHECK INDIVIDUAL SHEETS FOR REV LETTER AGAINST
THIS SHEET BEFORE USING THIS DRAWING.

DRAWING NO.		DESCRIPTION		REFERENCE DESIGNATION	
MATERIAL LIST					
DATE	BY	DATE	BY	DATE	BY
 DIAGRAM, LOGIC KEYBOARD/PRINTER & PUNCH			TITLE		
DRAWING NO. 9234		REV. NO. D		REV. NO. 107419	
PART NO. 107476		SCALE		SHEET /	

107419 14

REV. LET.	DESCRIPTION	DATE	BY	CHK'D
1A				
1	A			
2	B			
3	C			
4	D			
5	E			
6	F			
7	G			
8	H			
9	I			
10	J			
11	K			
12	L			
13	M			
14	N			
15	O			
16	P			

REFERENCE DESIGNATIONS ARE ABBREVIATED. PREFIX THE DESIGNATION WITH UNIT NUMBER OR ASSEMBLY DESIGNATION OR BOTH. (MIL. STD. 16.8)

NOTES:
 1. REV. LETTERS LISTED INDICATE STATUS OF EACH SHEET OF THIS MULTIPLE SHEET DRAWING.
 2. CHECK INDIVIDUAL SHEETS FOR REV. LETTER AGAINST THIS SHEET BEFORE USING THIS DRAWING.

KEYBOARD/PRINTER
& PUNCH
PAGE 14
G

REV.	DESCRIPTION	DATE	APPROV.
A	RELEASED TO MFG.	5/1/64	
B	SEE REVISION E O	11/16/63	
C	SEE REVISION E O	11/16/63	
D	SEE REVISION E O	11/16/63	
E	SEE REVISION E.O.	11/16/63	
F	SEE REV. E.O.	11/16/63	
G	SEE REV. E.O.	11/16/63	

DRAWING NO.		DESCRIPTION	REFERENCE DESIGNATION
9234		DIAGRAM, LOGIC KEYBOARD/PRINTER & PUNCH	D 107419
107476			G

107419 3

PAGE	CMS	PAGE	CMS	PAGE	CMS	PAGE	CMS	PAGE	CMS
1A	H								
1	A								
2	B								
3	H								
4	A								
5	H								
6	B								
7	F								
8	H								
9	B								
10	A								
11	E								
12	B								
13	A								
14	A								
15	B								
16	D								

REFERENCE DESIGNATIONS
ARE ABBREVIATED.
PREFIX THE DESIGNATION
WITH UNIT NUMBER
OR ASSEMBLY DESIGNATION
OR BOTH. (MIL. STD. 68)

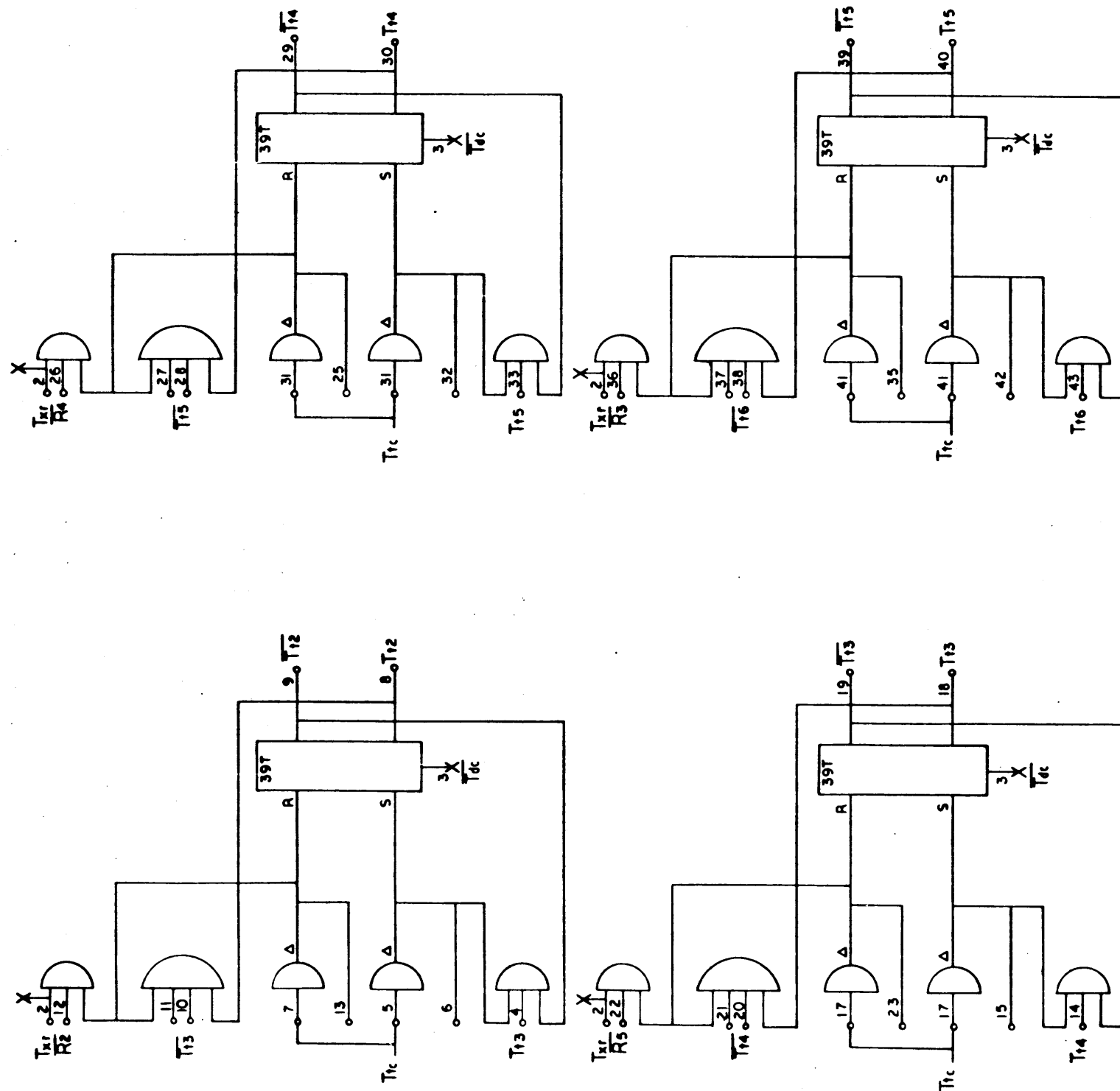
- NOTES:
1. REV LETTERS LISTED INDICATE STATUS OF EACH SHEET
OF THIS MULTIPLE SHEET DRAWING.
2. CHECK INDIVIDUAL SHEETS FOR REV LETTER AGAINST
THIS SHEET BEFORE USING THIS DRAWING.

KEYBOARD/PRINTER
& PUNCH
PAGE 18
H

REVISIONS			
REV.	DESCRIPTION	CHK	DATE
A	RELEASED TO MFG.		
B	SEE REVISION E O		
C	SEE REVISION E O		
D	SEE REVISION E O		
E	SEE REVISION E.O.		
F	SEE REV E.O.		
G	SEE REV E.O.		
H	SEE REV E.O.		

DRAWING NO.	DESCRIPTION	REFERENCE DESIGNATION
9234	DIAGRAM, LOGIC KEYBOARD/PRINTER & PUNCH	
107476		
		D 107419

107419 H



KEYBOARD/PRINTER
& PUNCH
PAGE 1
A

REV.		DESCRIPTION		REVISIONS		CHK	DATE	APPROVED
A		REL TO MFG		107419	A			

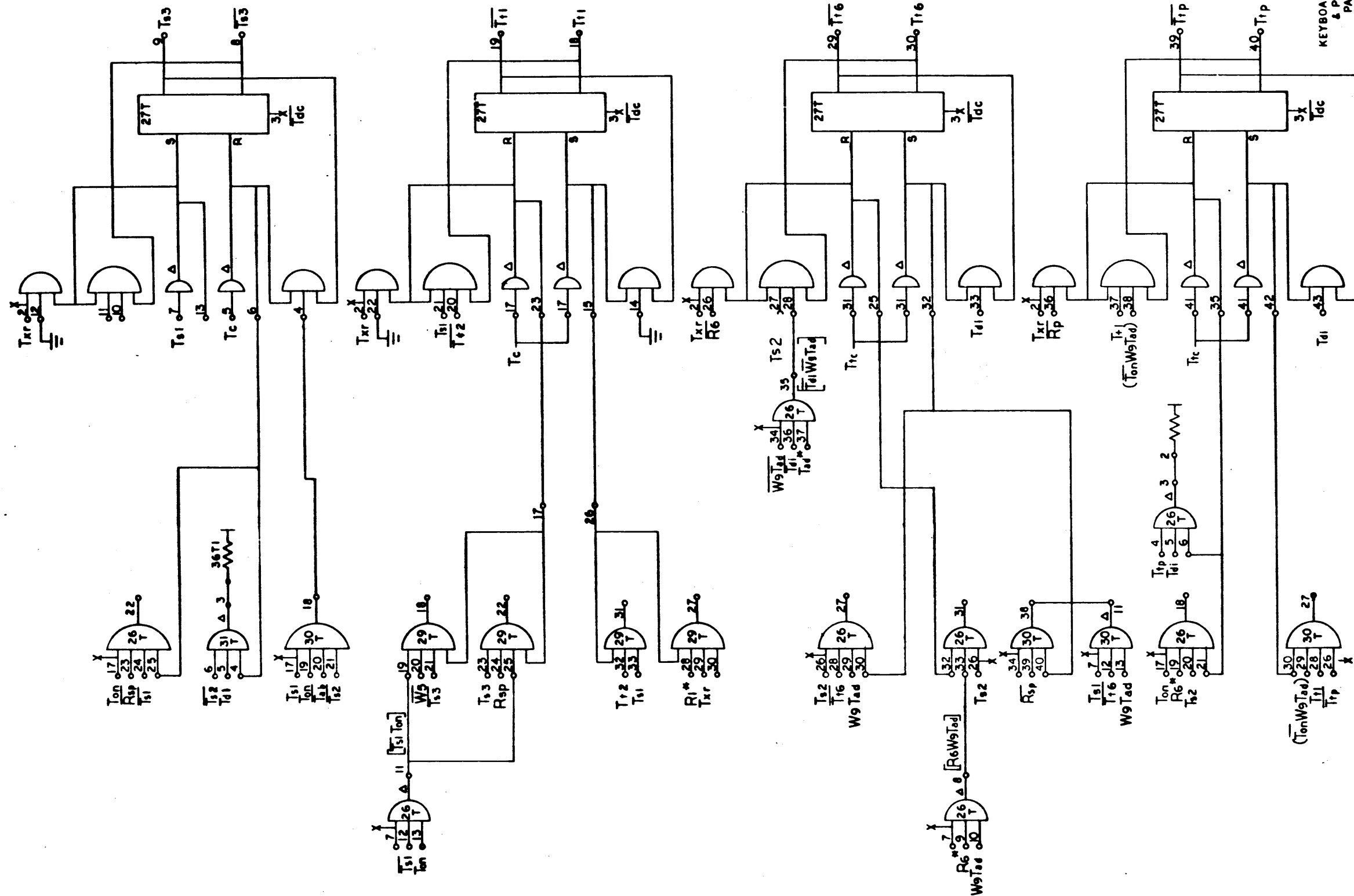
SDS
SCIENTIFIC DATA SYSTEMS
SANTA MONICA, CALIFORNIA

FILE
DIAGRAM, LOGIC
KEYBOARD/PRINTER
& PUNCH

107419
A

SCALE DO NOT SCALE DRAWING SHEET

107419 | A |



KEYBOARD/PRINTER
& PUNCH
PAGE 2
A

REVISIONS			
REV.	DESCRIPTION	CHK	DATE
A	REL. TO MFG.		

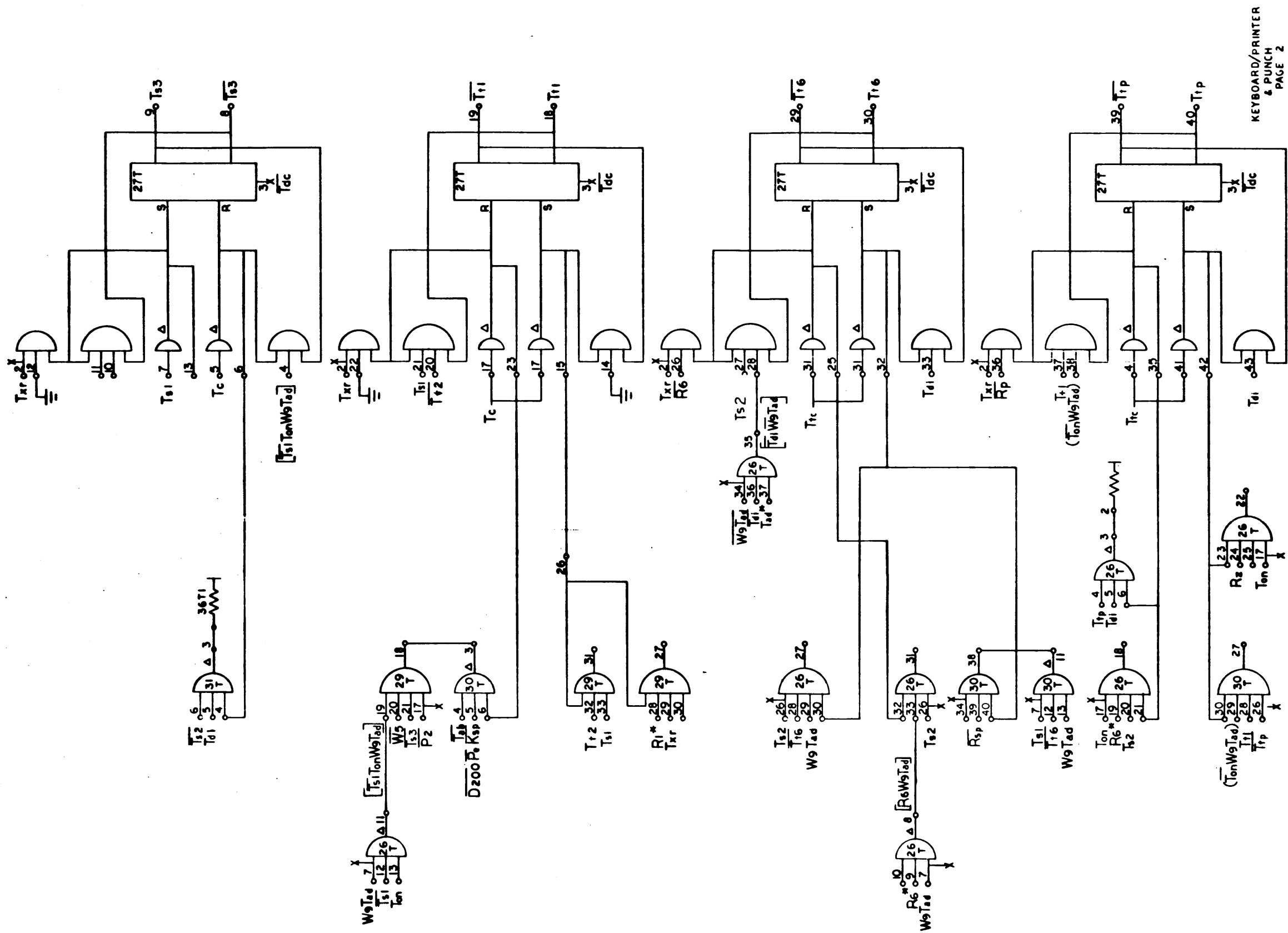
107419 | A |



DIAGRAM, LOGIC
KEYBOARD/PRINTER
& PUNCH

107419

A



REVISIONS			
REV.	DESCRIPTION	CHK.	DATE
A	REL. TO MFG.		
B	SEE REV E O		

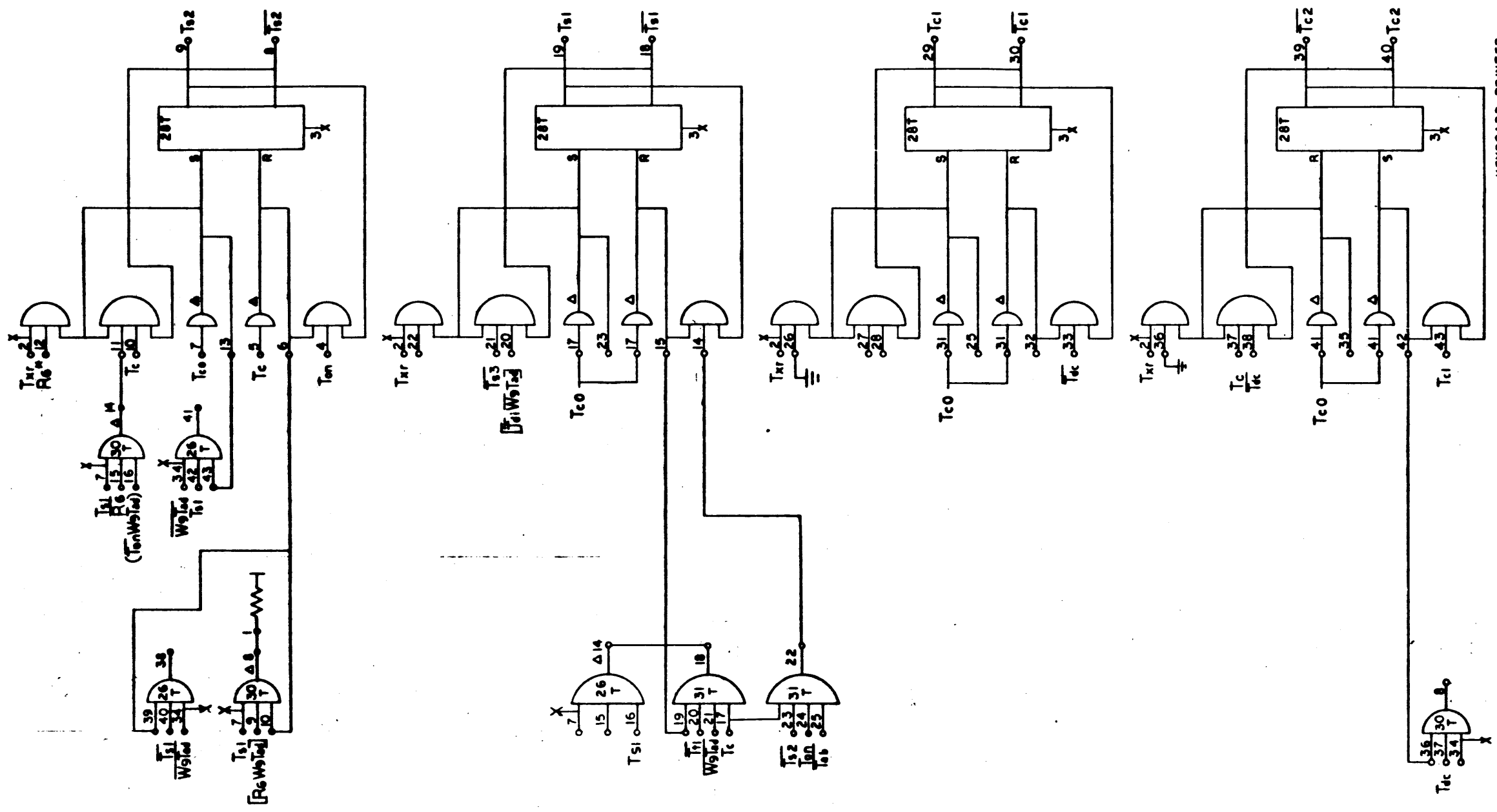
SDS
DATA SERVICES CORPORATION

**DIAGRAM, LOGIC
KEYBOARD/PUNCH
& PUNCH**

107419	B
--------	---

SCALE: DO NOT SCALE DRAWING

REVISIONS				107419
REV.	DESCRIPTION	CHK.	DATE	APPROVED
A	REL TO MFG			



KEYBOARD PRINTER
& PUNCH
PAGE 3
A

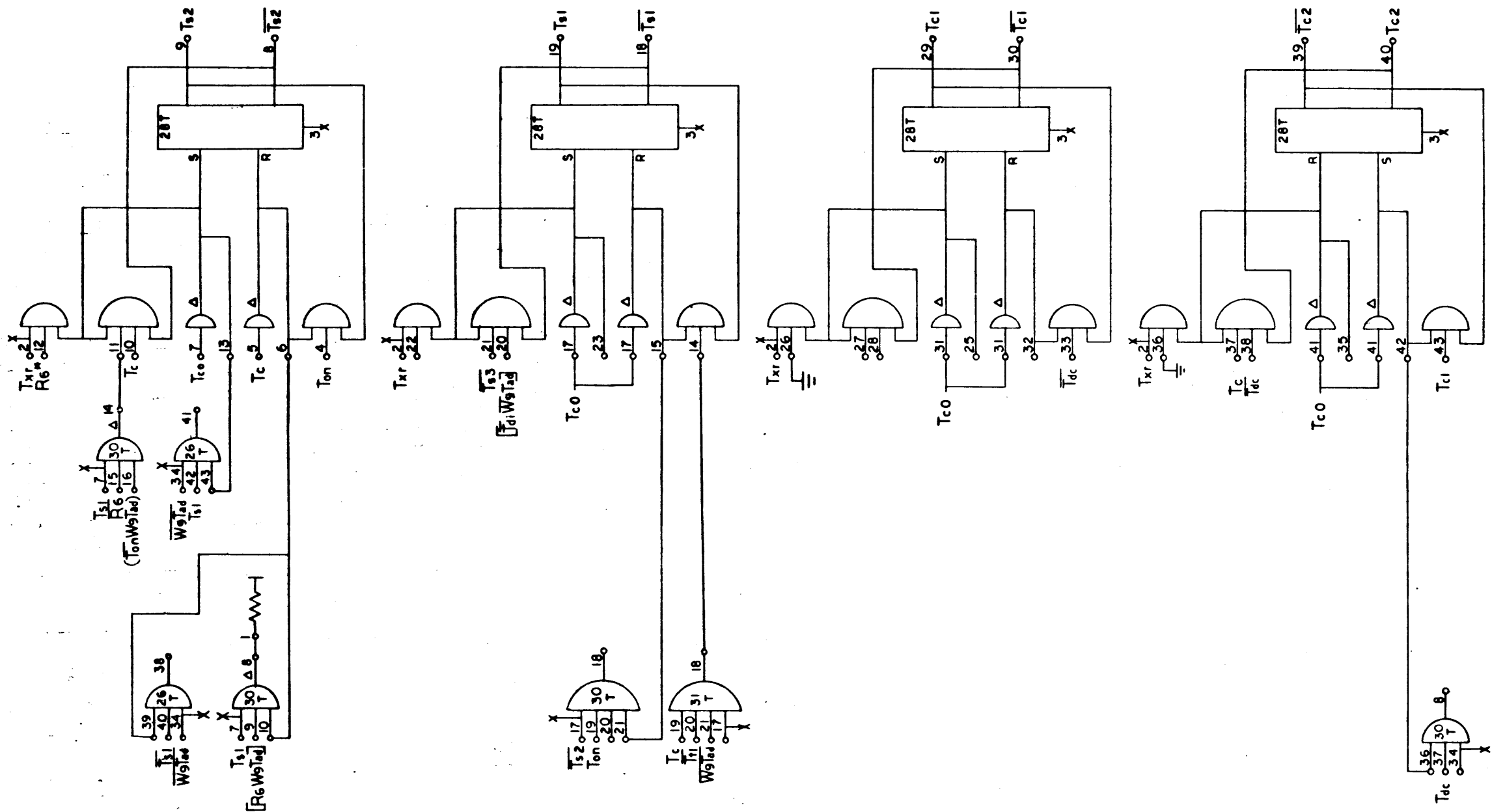
SDB
SCIENTIFIC DATA SYSTEMS
2025 W. 10TH AVENUE
DENVER, COLORADO 80202

DIAGRAM, LOGIC
KEYBOARD/PRINTER
& PUNCH

DATE	DWG. NO.	ISSUED BY
	107419	A

SCALE: DO NOT SCALE DRAWING

107419 | A



KEYBOARD PRINTER
& PUNCH
PAGE 3
B

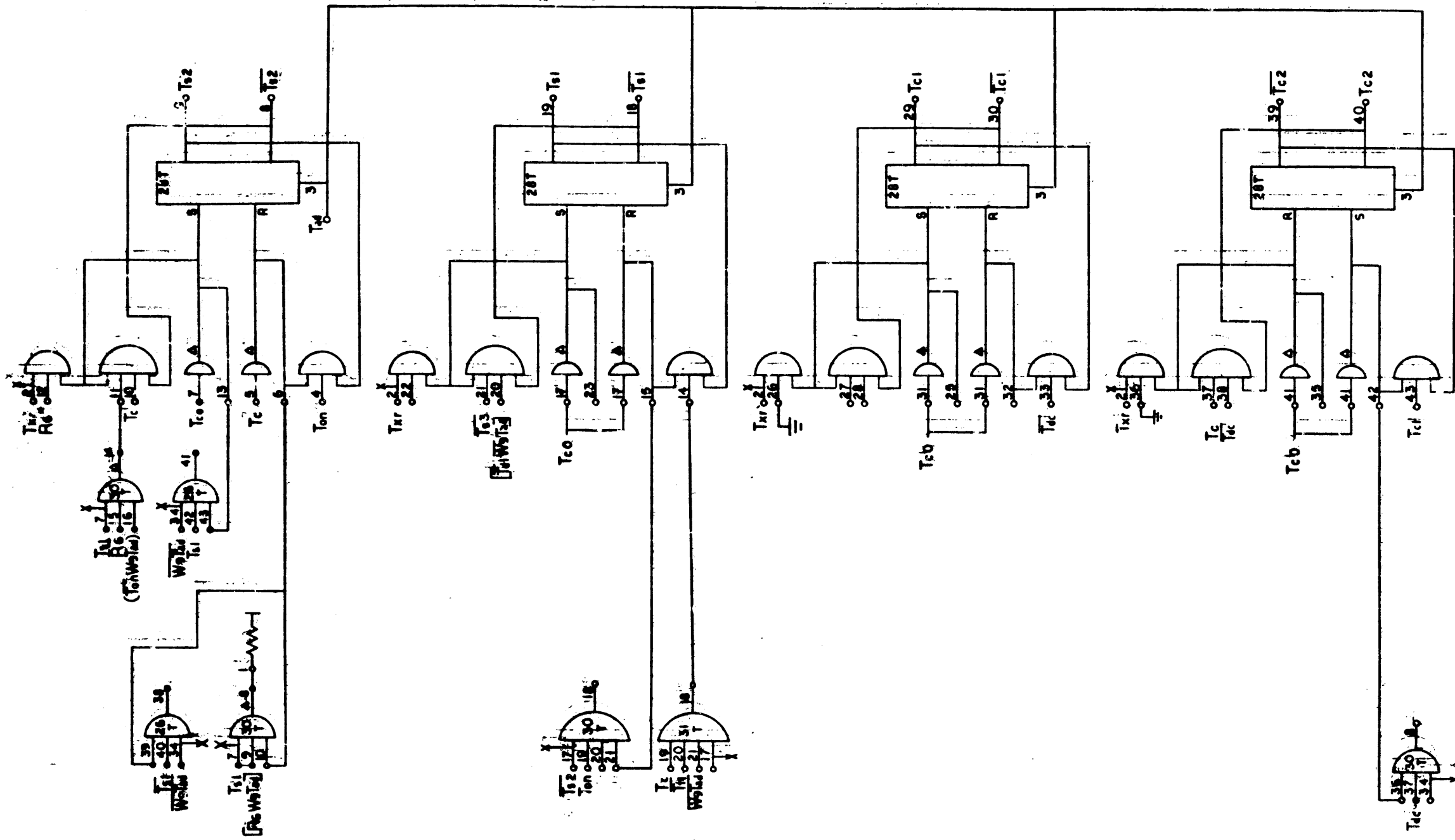
REVISIONS			
REV.	DESCRIPTION	CHK	DATE
A	REL TO MFG		1/16/64
B	SEE REV E O		1/17/64

107419 B

107419 B




TITLE		
DIAGRAM, LOGIC KEYBOARD/PRINTER & PUNCH		
REV.	DATE	APPROVED
	107419	B
SCALE	DO NOT SCALE DRAWING	SHEET

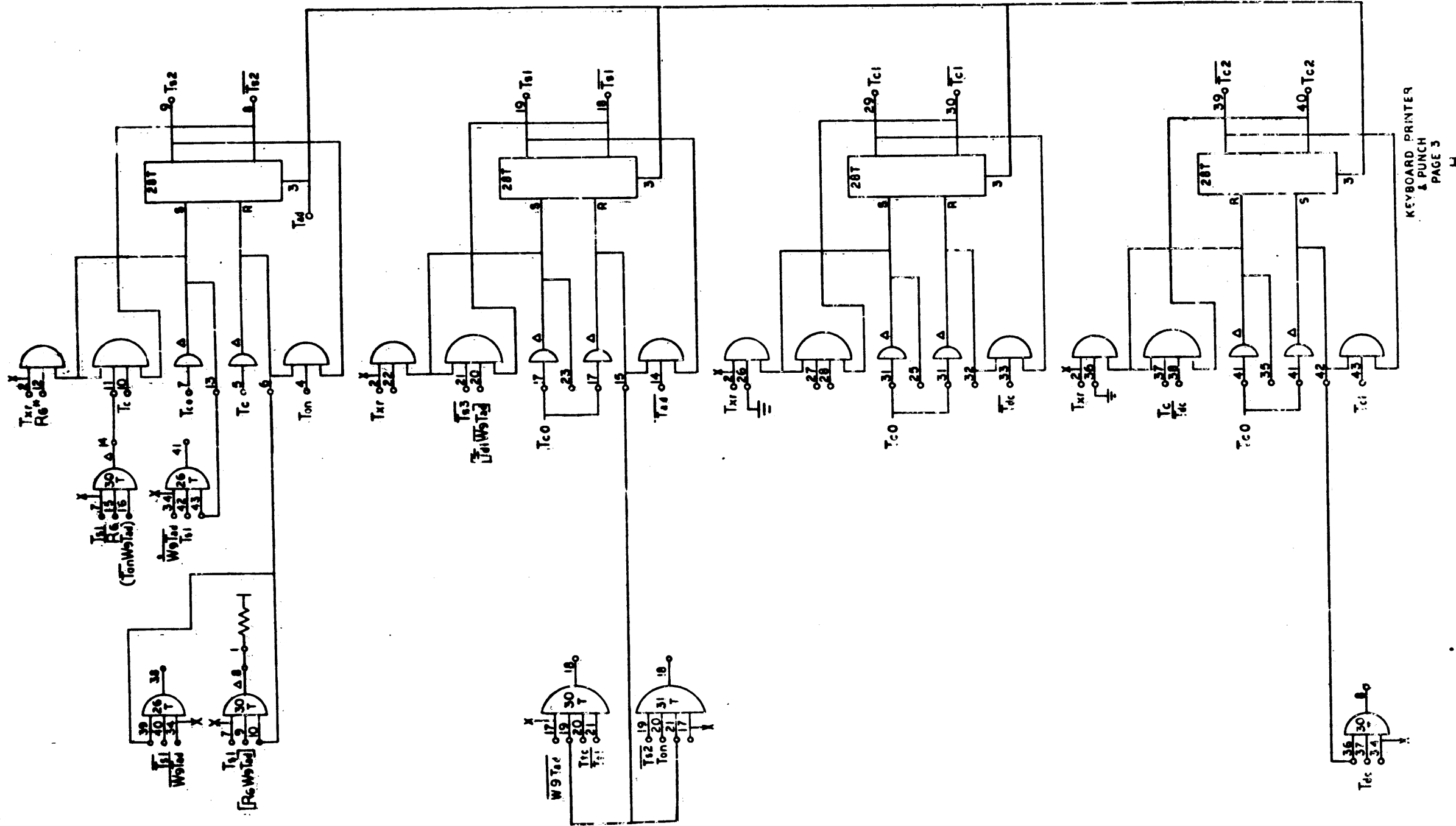


KEYBOARD PRINTER
& PUNCH
PAGE 3
G

REVISIONS			
REV.	DESCRIPTION	CHK.	DATE
A	REL TO MFG		
B	SEE REV E.O.		
G	SEE REV E.O.		



 DIAGRAM, LOGIC
 KEYBOARD/PRINTER
 & PUNCH
 107419 G

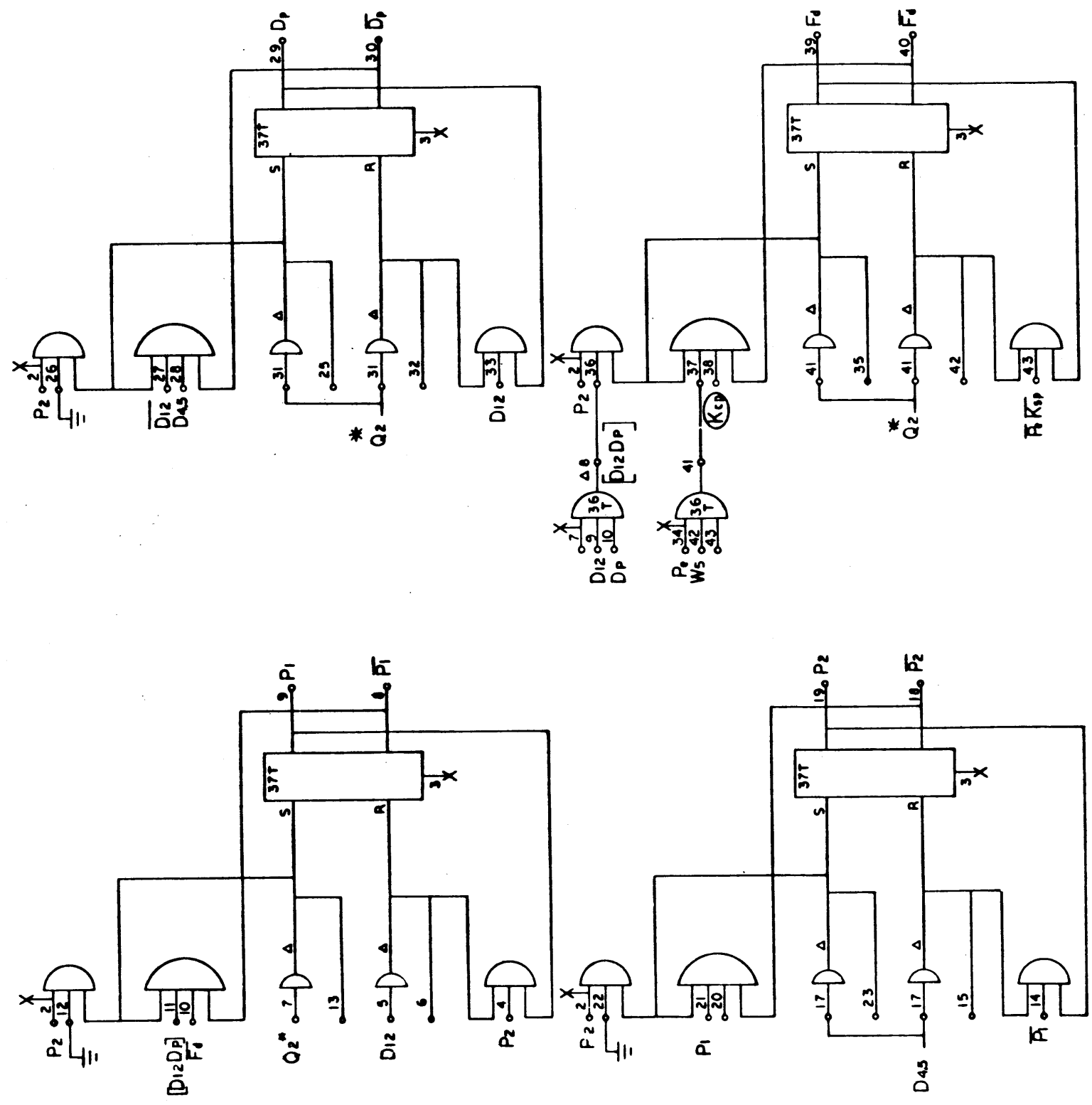
107419 G



REVISIONS		107419	H
REV.	DESCRIPTION	CHK	DATE
A	REL TO MFG		
B	SEE REV E.O		
G	SEE REV E.O.		
H	SEE REV E.O.		

KEYBOARD PRINTER
& PUNCH
PAGE 3
H


 GPO
 GOVERNMENT PRINTING OFFICE: 1963 O - 354-000
 DIAGRAM, LOGIC
 KEYBOARD/PRINTER
 & PUNCH
 107419
 H



KEYBOARD/PRINTER
& PUNCH
PAGE 4
A

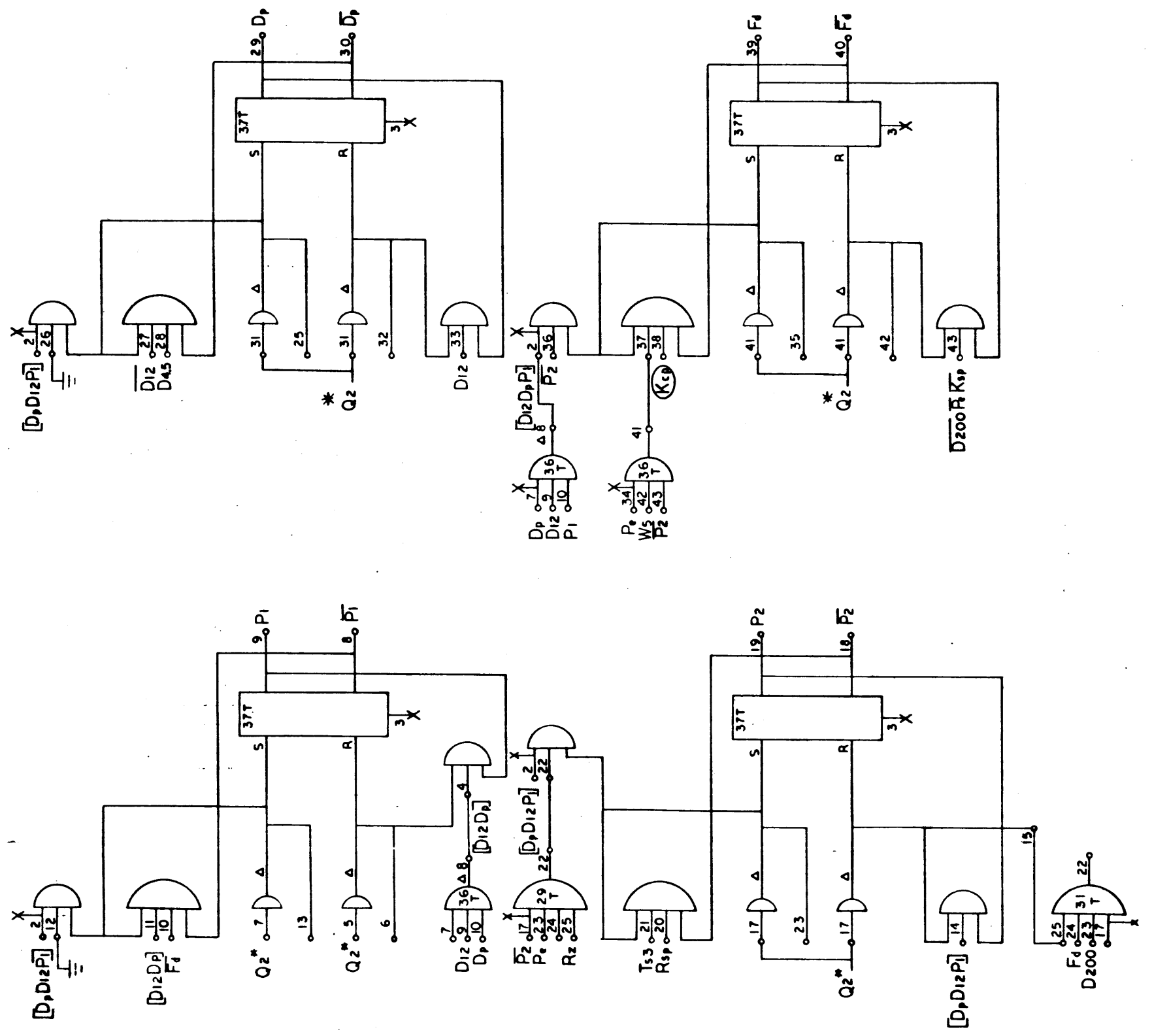
REVISIONS			
REV.	DESCRIPTION	CHK.	DATE
A	REL TO MFG		

SDS
SIGNIFICANT DATA SYSTEMS
DALLAS, TEXAS, U.S.A.

DIAGRAM, LOGIC
KEYBOARD/ PRINTER
& PUNCH

SCALE	DO NOT SCALE DRAWING	SHEET
-------	----------------------	-------

107419 | A



KEYBOARD/PRINTER
& PUNCH
PAGE 4
B

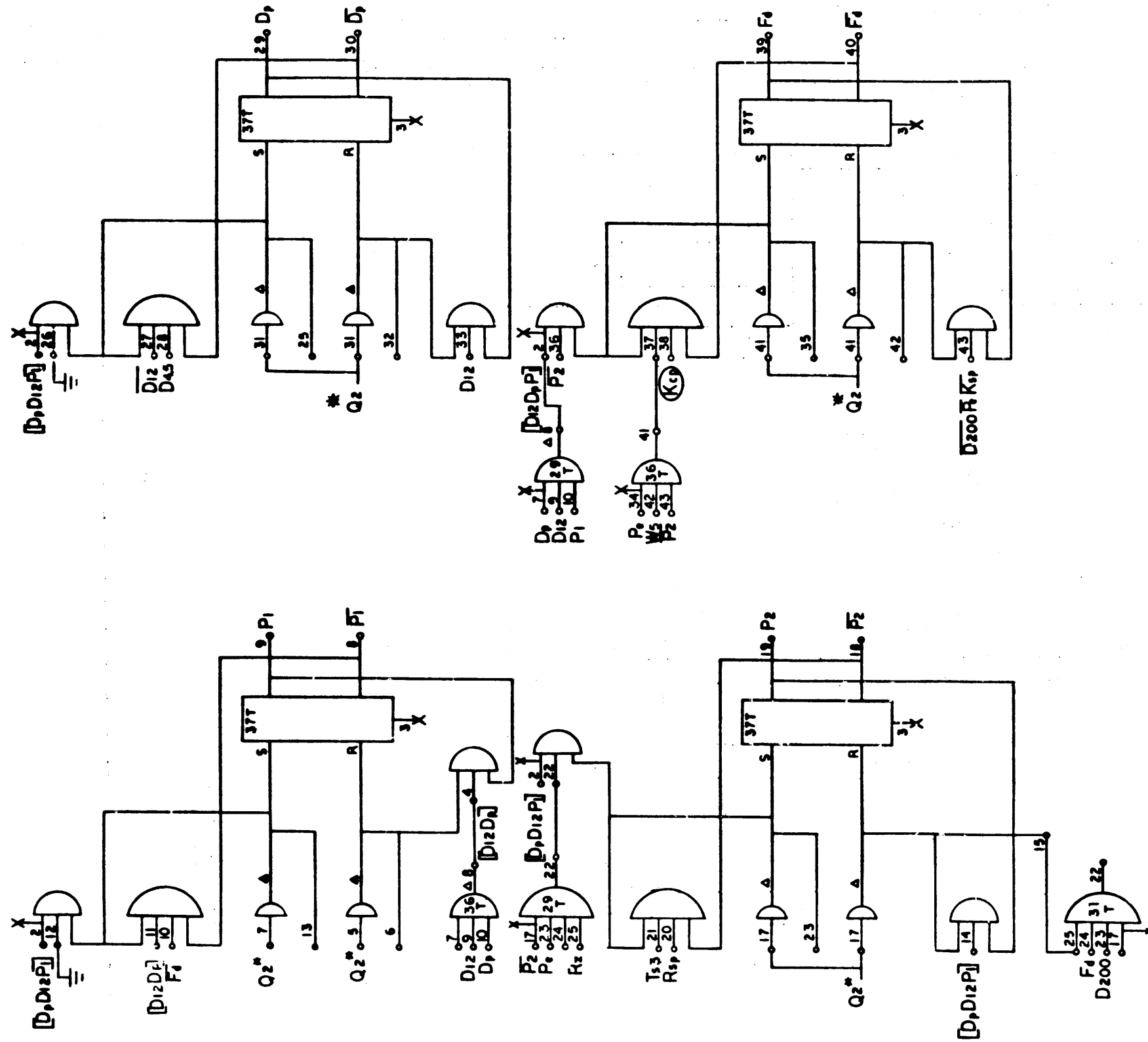
REVISIONS				107419	B
REV.	DESCRIPTION	CHK.	DATE	APPROVED	
A	REL TO MFG				
B	SEE REV E O				

SOS
SOLID STATE SYSTEMS

**DIAGRAM, LOGIC
KEYBOARD/ PRINTER
& PUNCH**

SCALE	107419	SHEET B
DO NOT SCALE DIMENSIONS		

107419 | B |



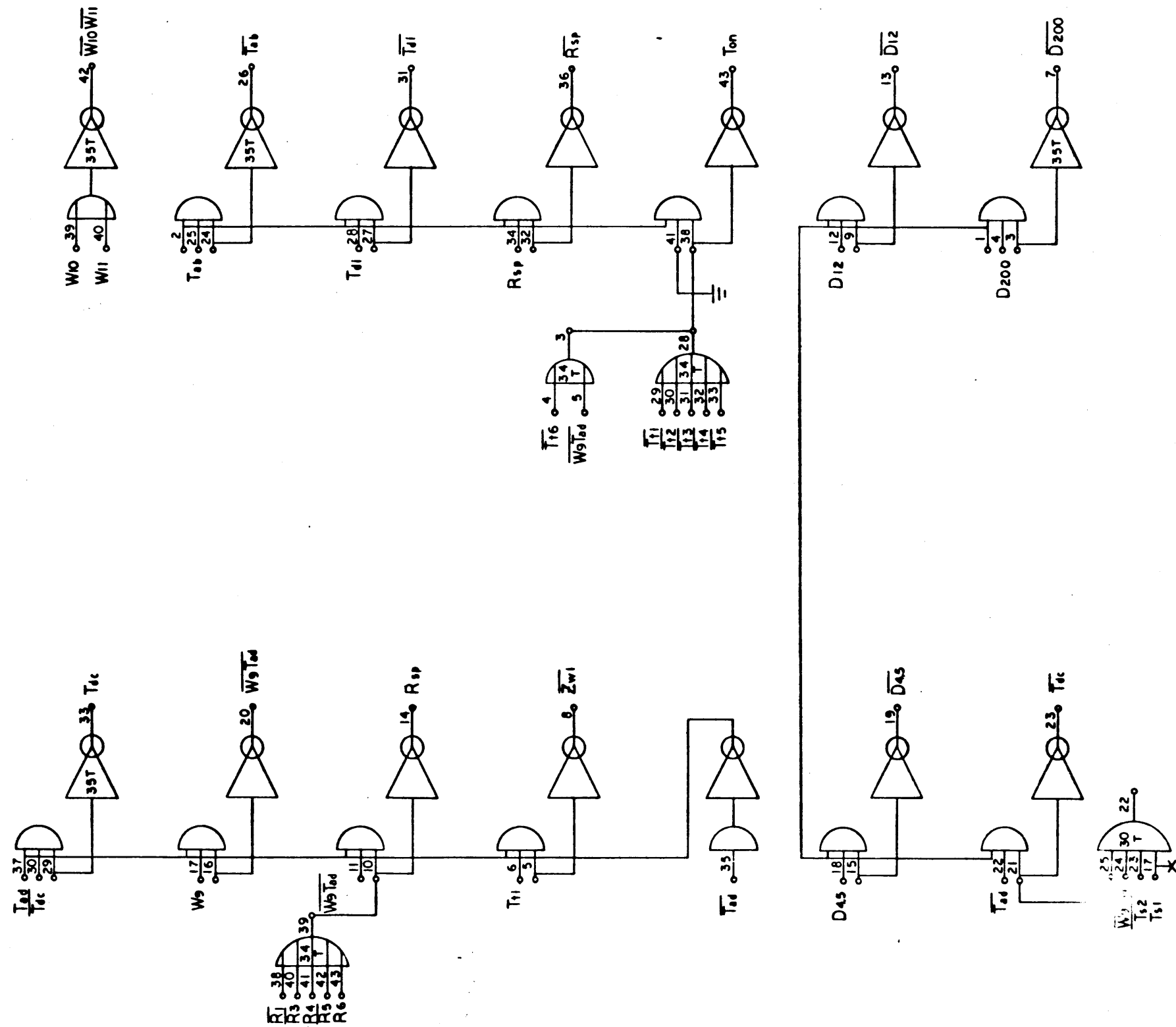
KEYBOARD/PRINTER
& PUNCH
PAGE 4
F

REVISIONS	
REV.	DESCRIPTION
A	REL TO MFG
B	SEE REV E O
F	SEE REV E O

GDD
 GENERAL DYNAMICS
 CORPORATION
 WASHINGTON, D.C. 20333

**DIAGRAM, LOGIC
KEYBOARD/PRINTER
& PUNCH**

107419

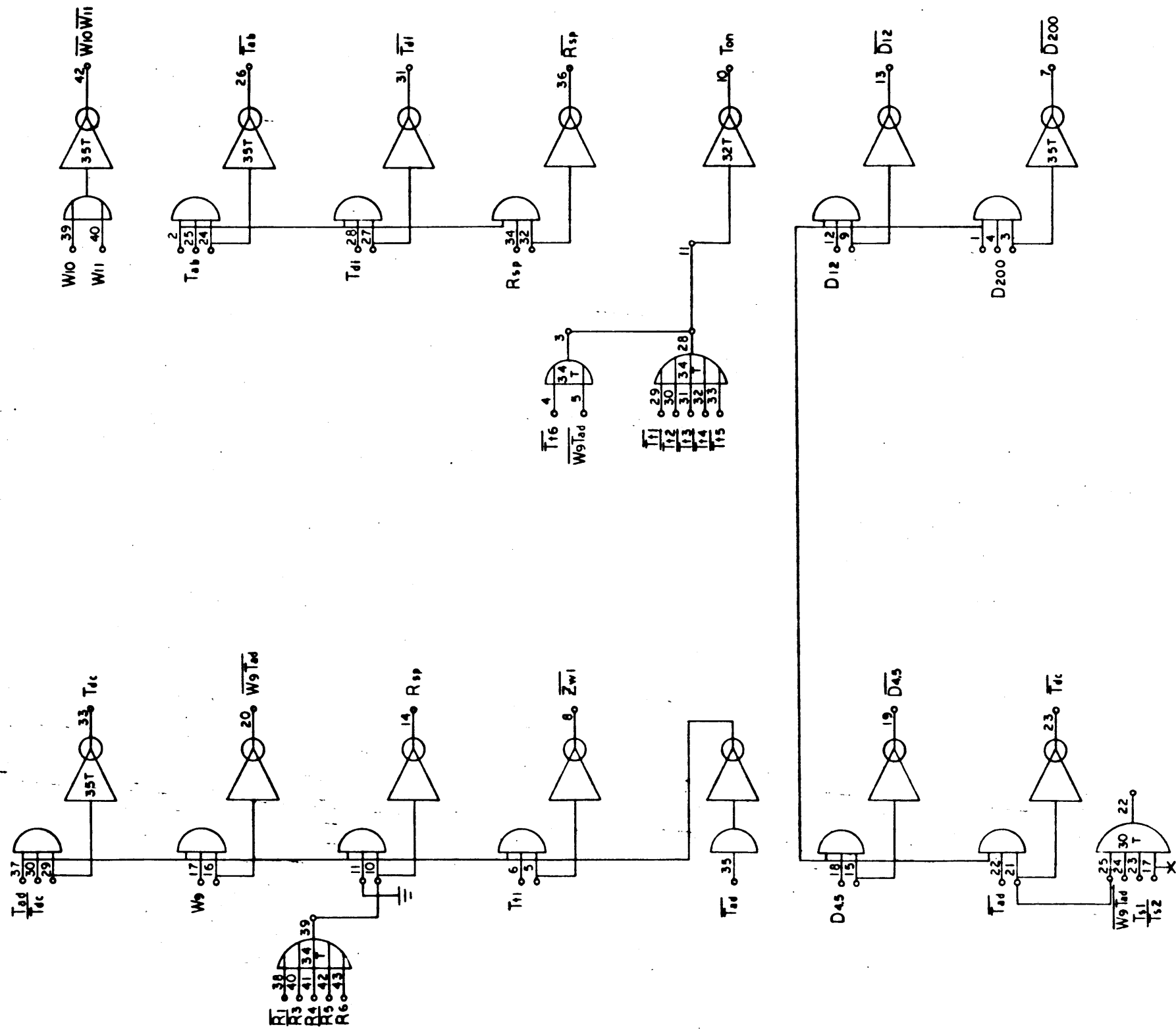


KEYBOARD/PRINTER
& PUNCH
PAGE 0
A

REVISIONS		107419		A
REV	DESCRIPTION	CHK	DATE	APPROVED
A	REL TO MFG			

SDS DIGITIZING DATA SYSTEMS SANTA BARBARA, CALIFORNIA	
TITLE DIAGRAM, LOGIC KEYBOARD/PRINTER & PUNCH	
SIZE	ENGR. NO. 107419
SCALE	CHANGE LETTER A
DO NOT SCALE DRAWING SHEET	

107419 | A |



KEYBOARD/PRINTER
& PUNCH
PAGE 5
B

REVISIONS				
REV.	DESCRIPTION	CHK	DATE	APPROVED
A	REL TO MFG			
B	SEE REV E O			

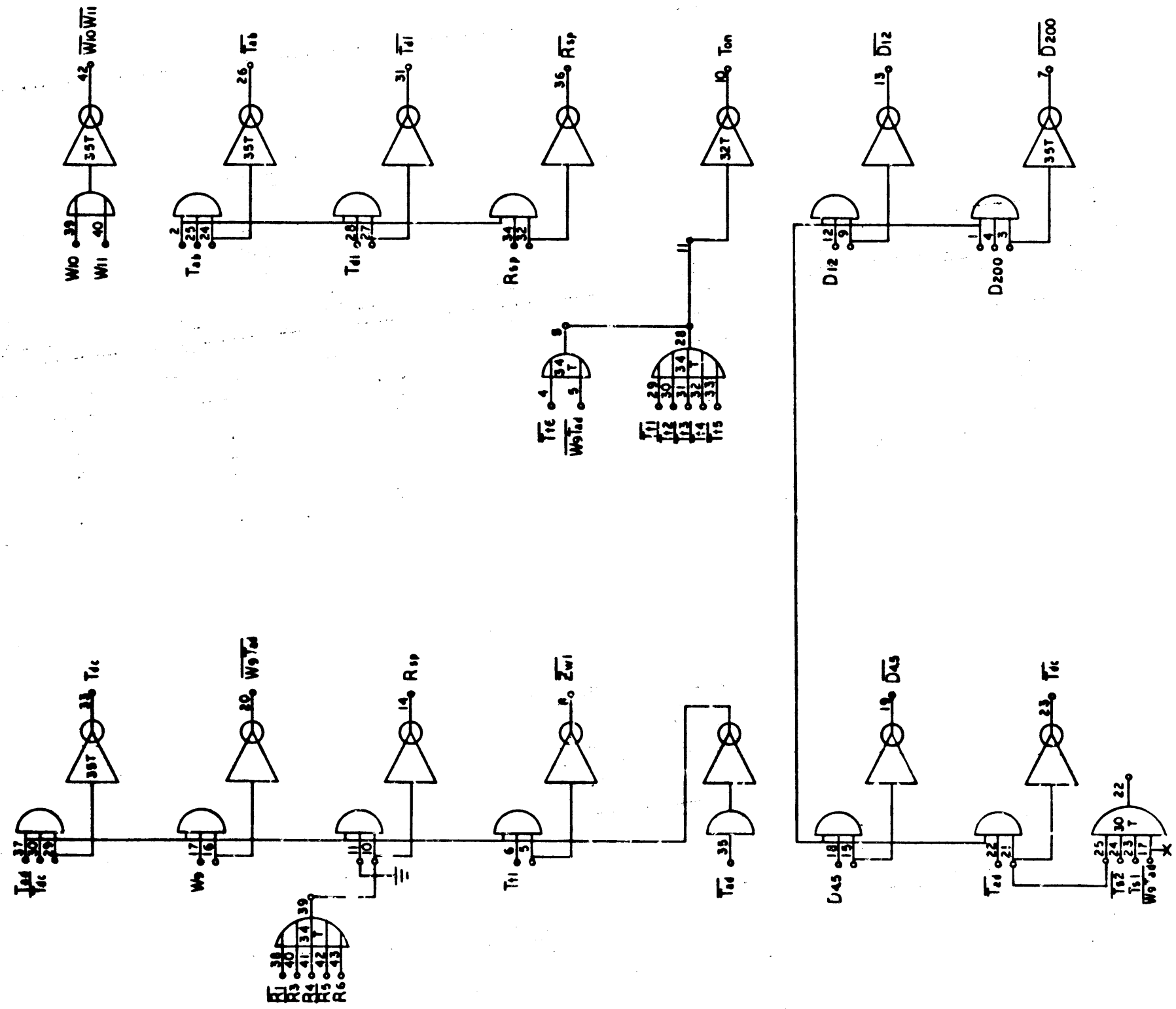
SDS
SCIENTIFIC DATA SYSTEMS
SANTA MONICA, CALIFORNIA

WYLE

DIAGRAM, LOGIC
KEYBOARD/PRINTER
& PUNCH

SCALE	DO NOT SCALE DRAWING	SHEET
-------	----------------------	-------

107419 | B |



KEYBOARD/PRINTER
& PUNCH
PAGE 5
H

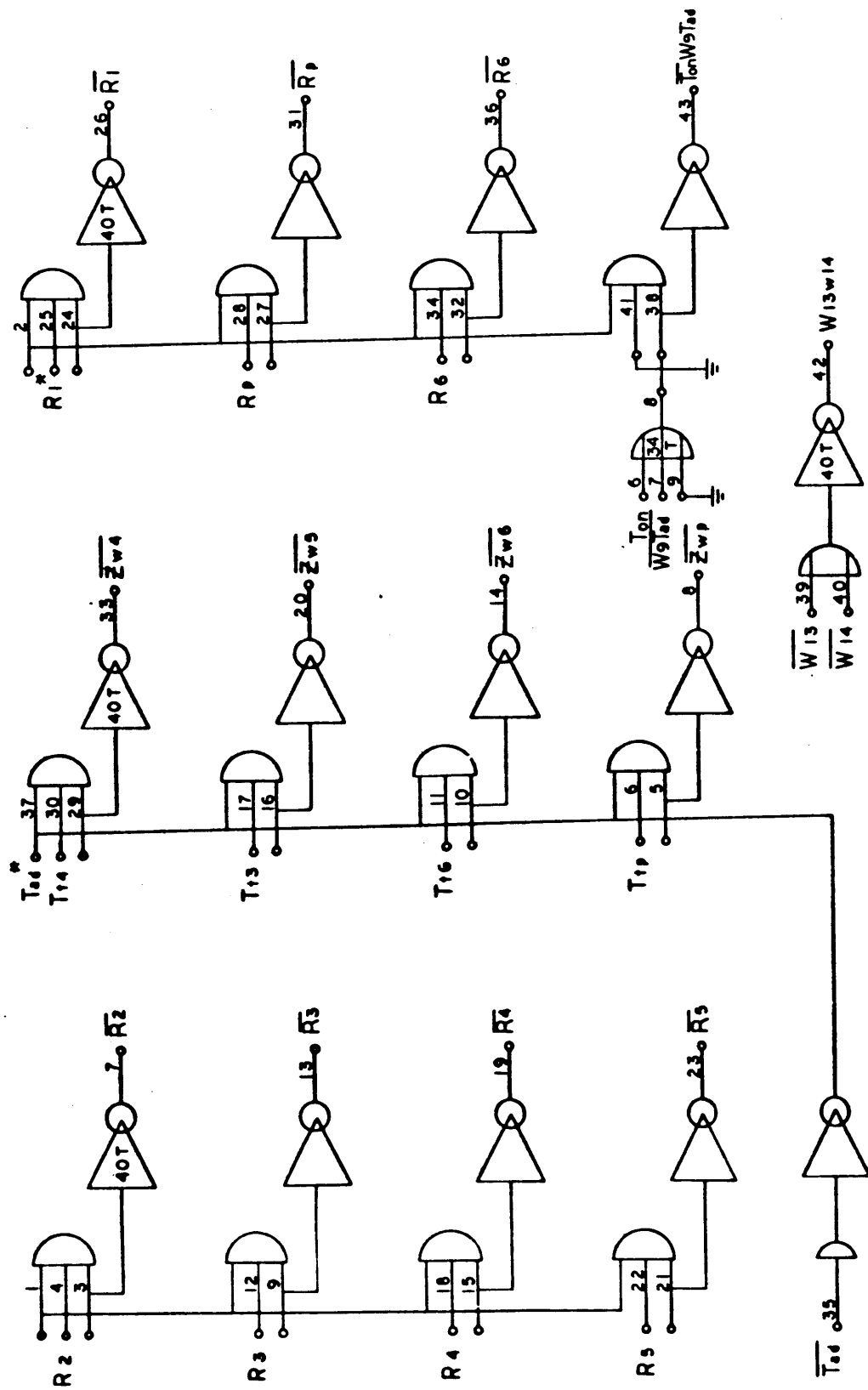
REVISIONS				107419
REV.	DESCRIPTION	CHK.	DATE	APPROVED
A	REL TO MFG			
B	SEE REV E O			
H	SEE REV. E.O.			

DDO
DEFENSE DOCUMENTATION OFFICE
REPRODUCTION SERVICE

DIAGRAM, LOGIC
KEYBOARD/PRINTER
& PUNCH

	107419	H
--	--------	---

SCALE: DO NOT SCALE DRAWING



KEYBOARD/PRINTER
& PUNCH
PAGE 6
A

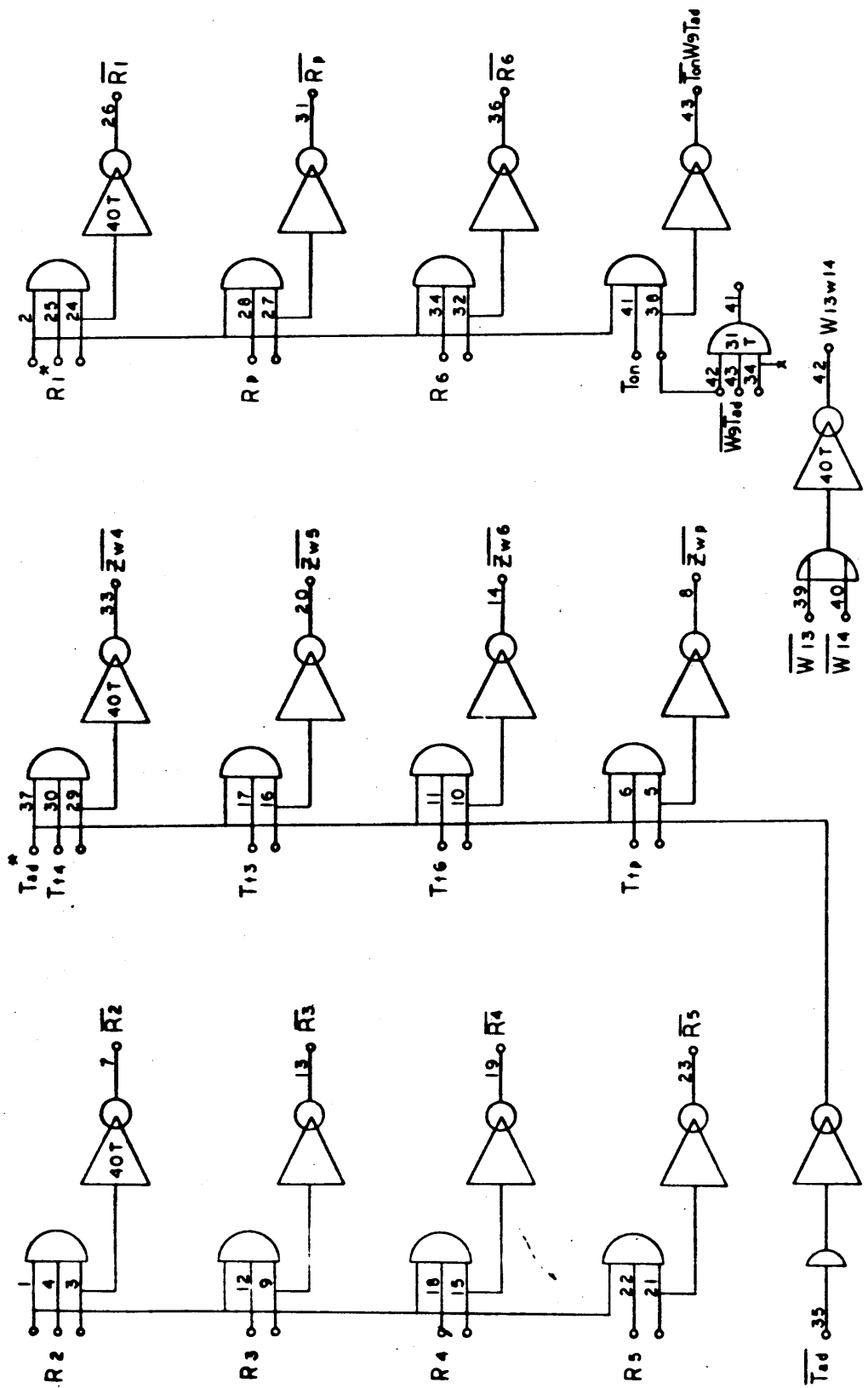
REVISIONS		10749	A
REV	DESCRIPTION	CHK	DATE
A	REL TO MFG		

SDB
SCIENTIFIC DATA SYSTEMS
DATA RESEARCH CORPORATION

DIAGRAM, LOGIC
KEYBOARD/PRINTER
& PUNCH

SCALE	DO NOT SCALE DRAWING	SHEET
REV. NO.	107419	CHANGE LETTER
		A

107419 | A |



KEYBOARD/PRINTER
& PUNCH
PAGE 6
B

REVISIONS				
REV.	DESCRIPTION	CHK	DATE	APPROVED
A	REL TO MFG			
B	SEE REL E O			

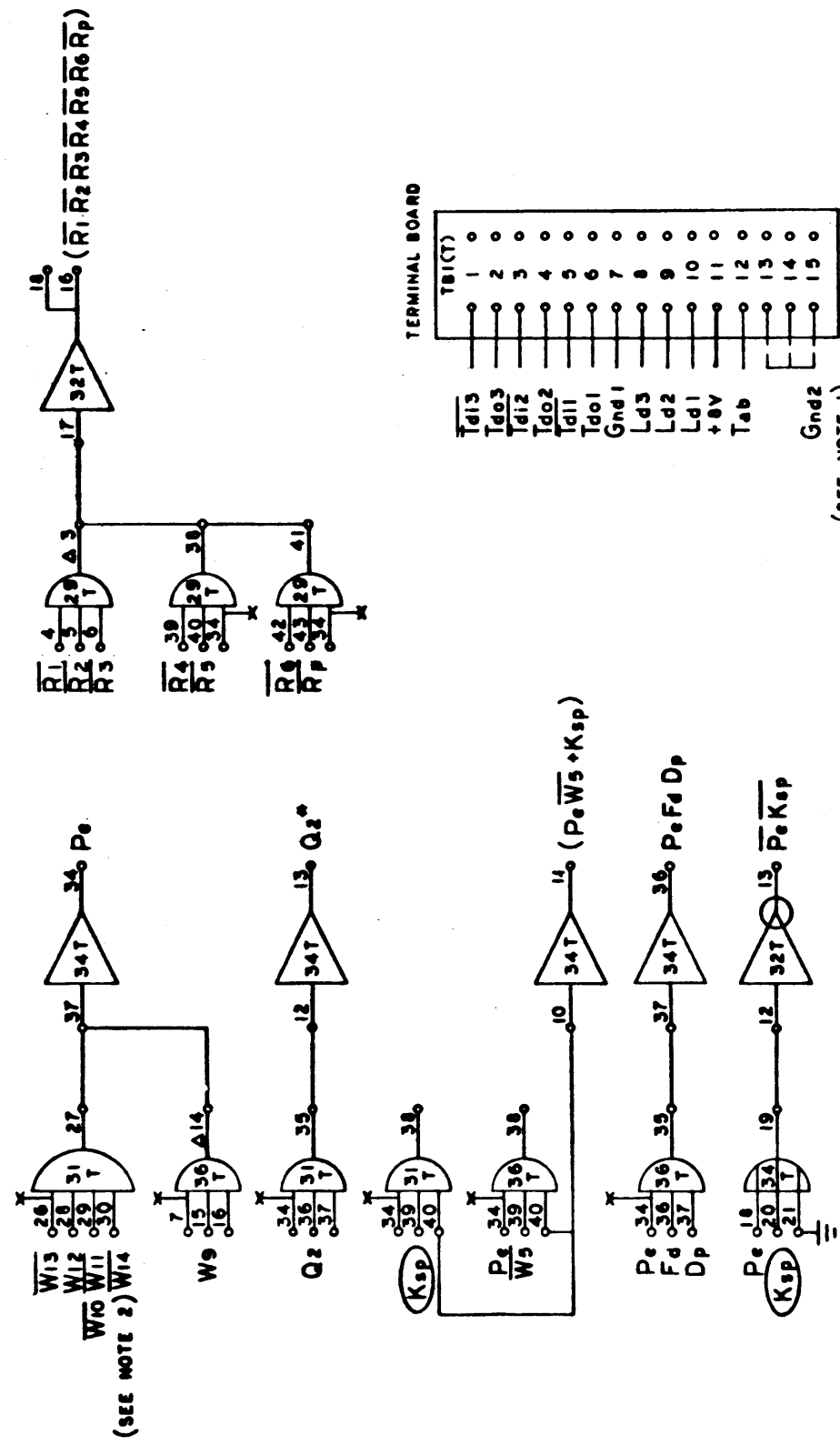
107419 B



DIAGRAM, LOGIC
KEYBOARD/PRINTER
& PUNCH

107419 B

107419 B



TERMINAL BOARD	
Td13	1 0
Td03	2 0
Td12	3 0
Td02	4 0
Td11	5 0
Td01	6 0
Gnd1	7 0
Ld3	8 0
Ld2	9 0
Ld1	10 0
+8V	11 0
Tab	12 0
Gnd2	13 0
	14 0
	15 0

(SEE NOTE 1)

NOTE:
 1. JUMPER BETWEEN TBI-13 & TBI-14 IS REMOVED IF A SECOND KEYBOARD/PRINTER IS ATTACHED.
 " TBI 14 & TBI 15 " " THIRD "
 " TBI 14 & TBI 15 " " THIRD "
 2. W14 IS REMOVED AND W14 IS ADDED TO PIN 31T50 IF THE PUNCH IS A NO.2 UNIT.

KEYBOARD/PRINTER
 & PUNCH
 PAGE 7
 A

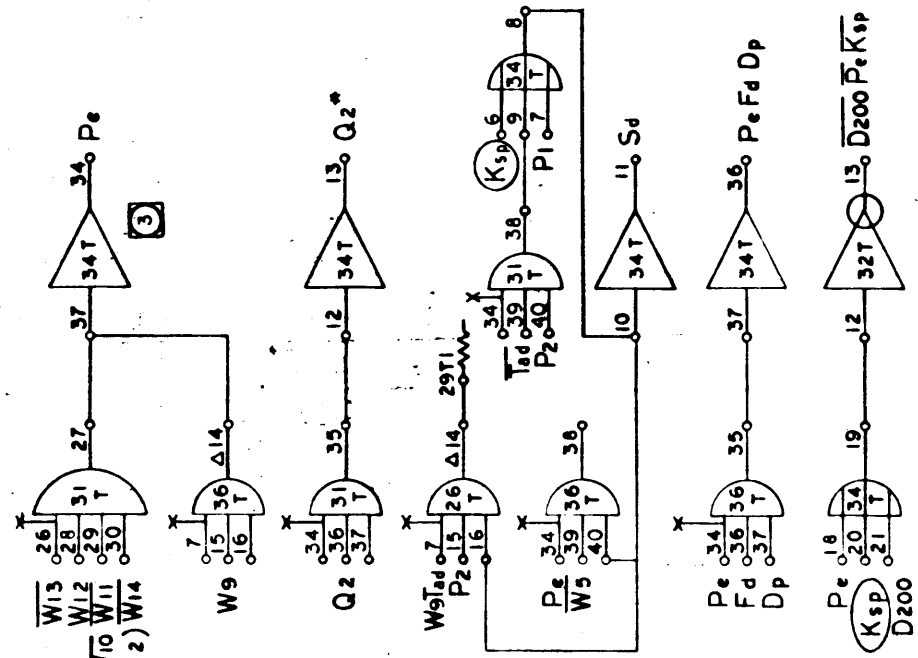
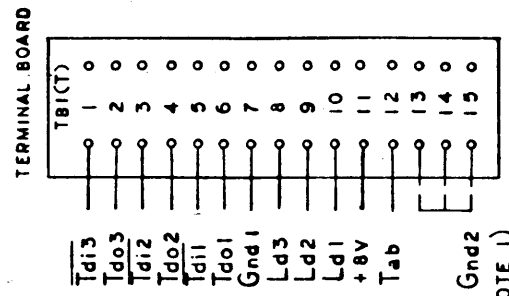
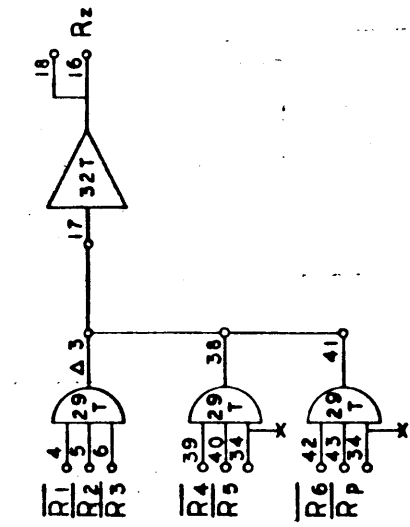
REVISIONS			07419	A
REV.	DESCRIPTION	CHK.	DATE	APPROVED
A	REL. TO MFG.			

SDS
 SYSTEMS DESIGN PROGRAMS
 DATA EQUIPMENT - SOLUTIONS

DIAGRAM, LOGIC
 KEYBOARD/PRINTER
 & PUNCH

NO.	107419	ISSUE	A
SCALE	DO NOT SCALE DRAWING	DESIGN	

107419 | A |



NOTE:

1. JUMPER BETWEEN TBI-13 & TBI-14 IS REMOVED IF A SECOND KEYBOARD/PRINTER IS ATTACHED.
 " TBI-14 & TBI-15 " " THIRD "

2. W14 IS REMOVED AND W14 IS ADDED TO PIN 31T30 IF THE PUNCH IS A NO.2 UNIT.

3 TERMINAL 34T34 IS CONNECTED TO GRD FOR MODEL 9237.

KEYBOARD/PRINTER
 & PUNCH
 PAGE 7
 E

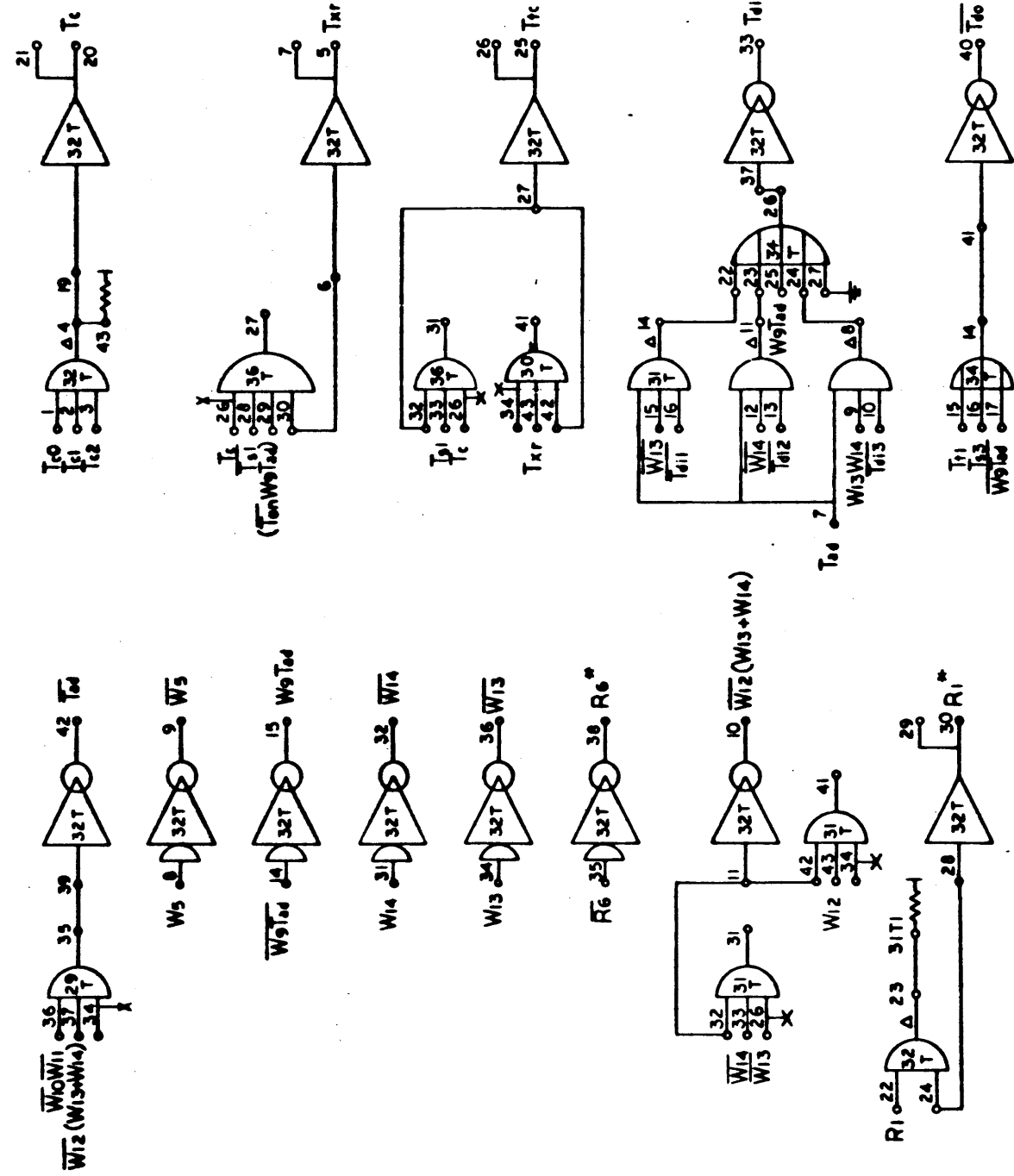
REVISIONS				
REV.	DESCRIPTION	CHK	DATE	APPROVED
A	REL. TO MFG.			
B	SEE REV EO			
E	SEE REV EO			

SCIENTIFIC DATA SYSTEMS
 SANTA MONICA, CALIFORNIA

TITLE
**DIAGRAM, LOGIC
 KEYBOARD/PRINTER
 & PUNCH**

SCALE	DO NOT SCALE DRAWINGS	SHEET
-------	-----------------------	-------

DWG. NO.	107419	CHANGE LETTER
		E



KEYBOARD/PRINTER
& PUNCH
PAGE 8
A

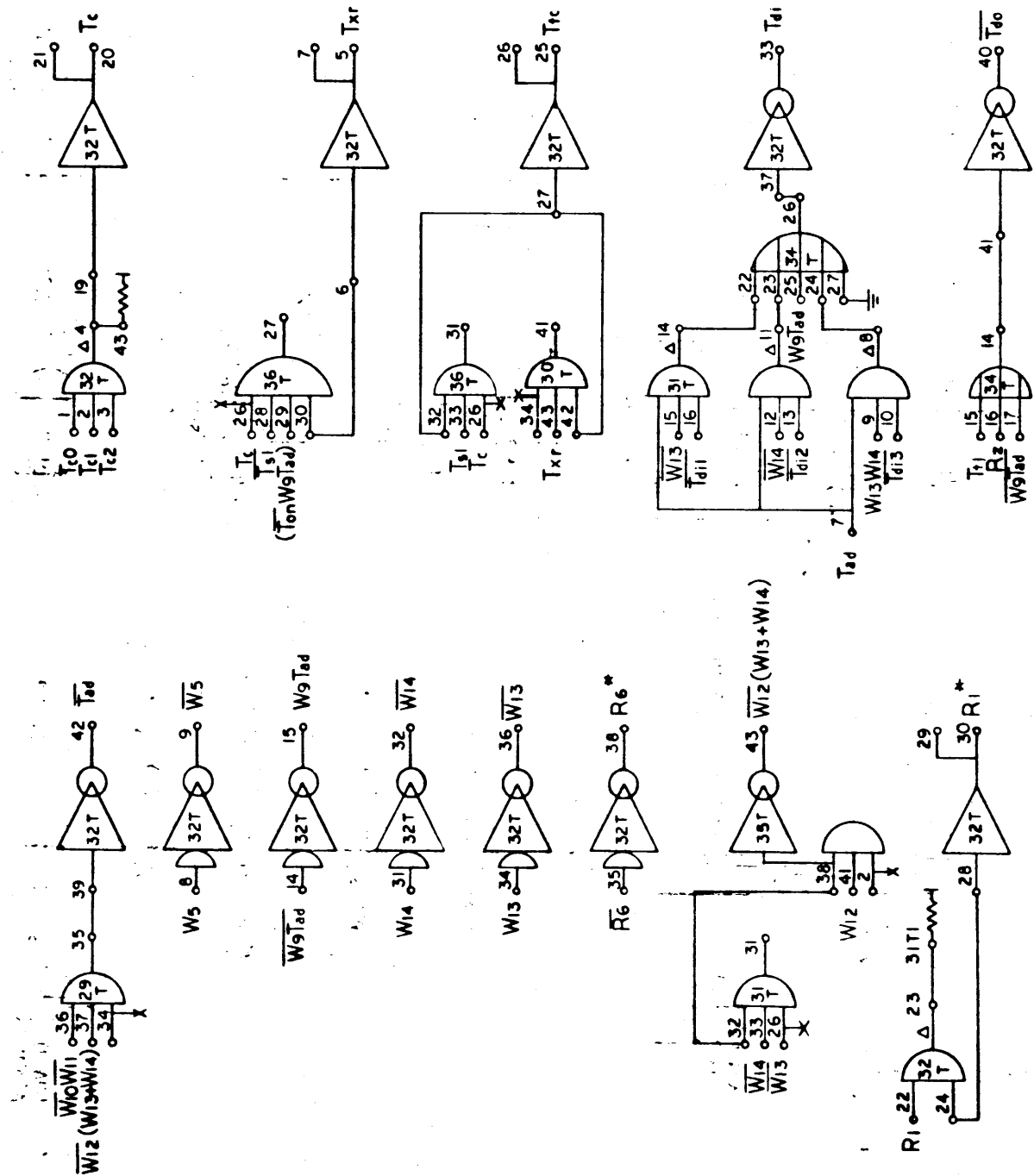
REVISIONS				1074	A
REV.	DESCRIPTION	CHK	DATE	APPROVED	
A	REL TO MFG				

SDB
SYSTEMS DESIGN BUREAU
DATA COMMUNICATIONS

DIAGRAM, LOGIC
KEYBOARD/PRINTER
& PUNCH

SCALE	DO NOT SCALE DRAWING	SHEET
	107419	A

107419 | A |



KEYBOARD/PRINTER & PUNCH PAGE 8 B

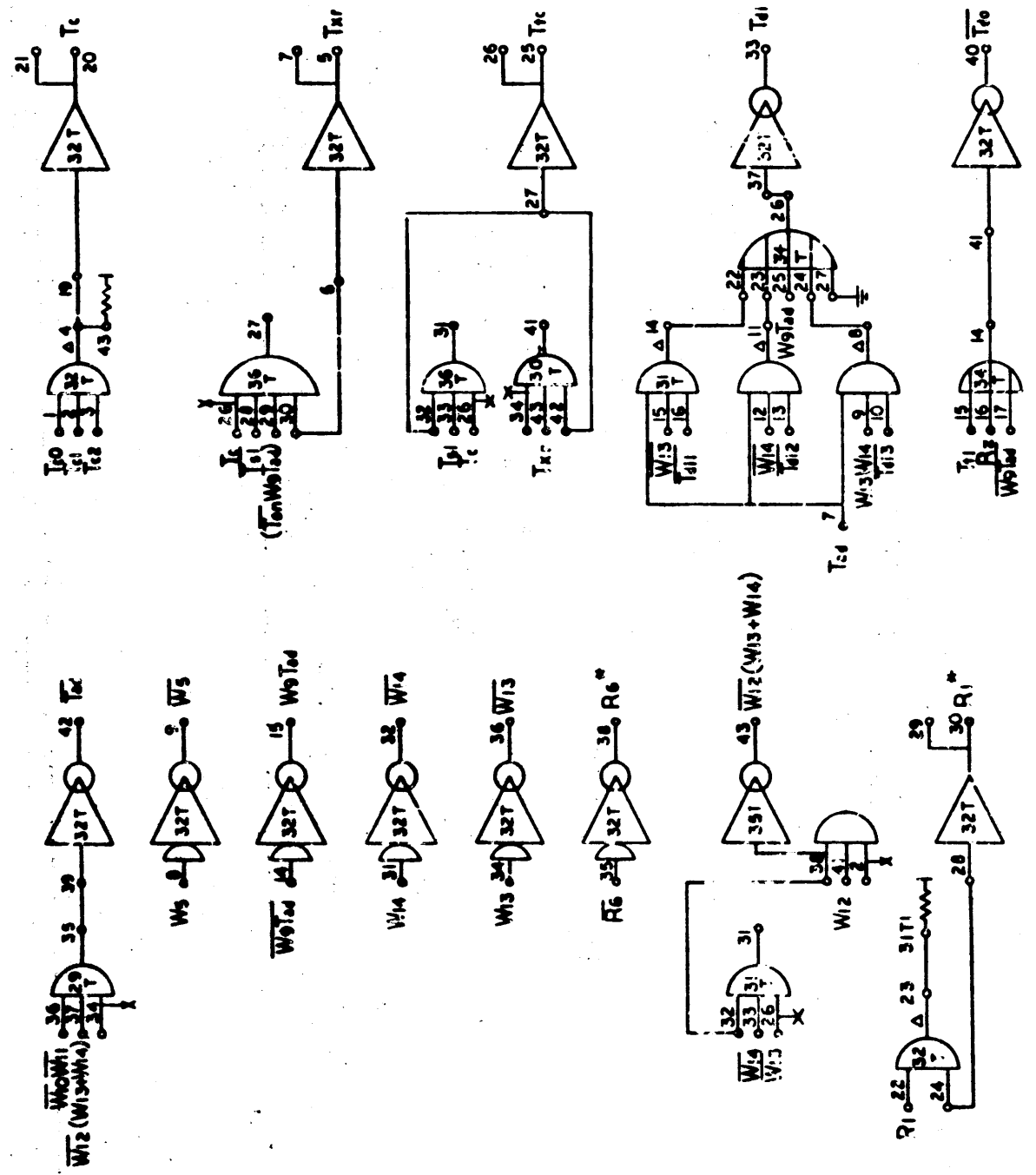
REVISIONS		107419	B
REV.	DESCRIPTION	CHK	DATE
A	REL TO MFG		1/20/62 W. Bush
B	SEE REV E O		1/20/62 W. Bush

SDS
SCIENTIFIC DATA SYSTEMS
SANTA MONICA, CALIFORNIA

TITLE: DIAGRAM, LOGIC KEYBOARD/PRINTER & PUNCH

SCALE	DO NOT SCALE DRAWING	SHEET
REV.	DWG. NO. 107419	CHANGE LETTER B

107419 B

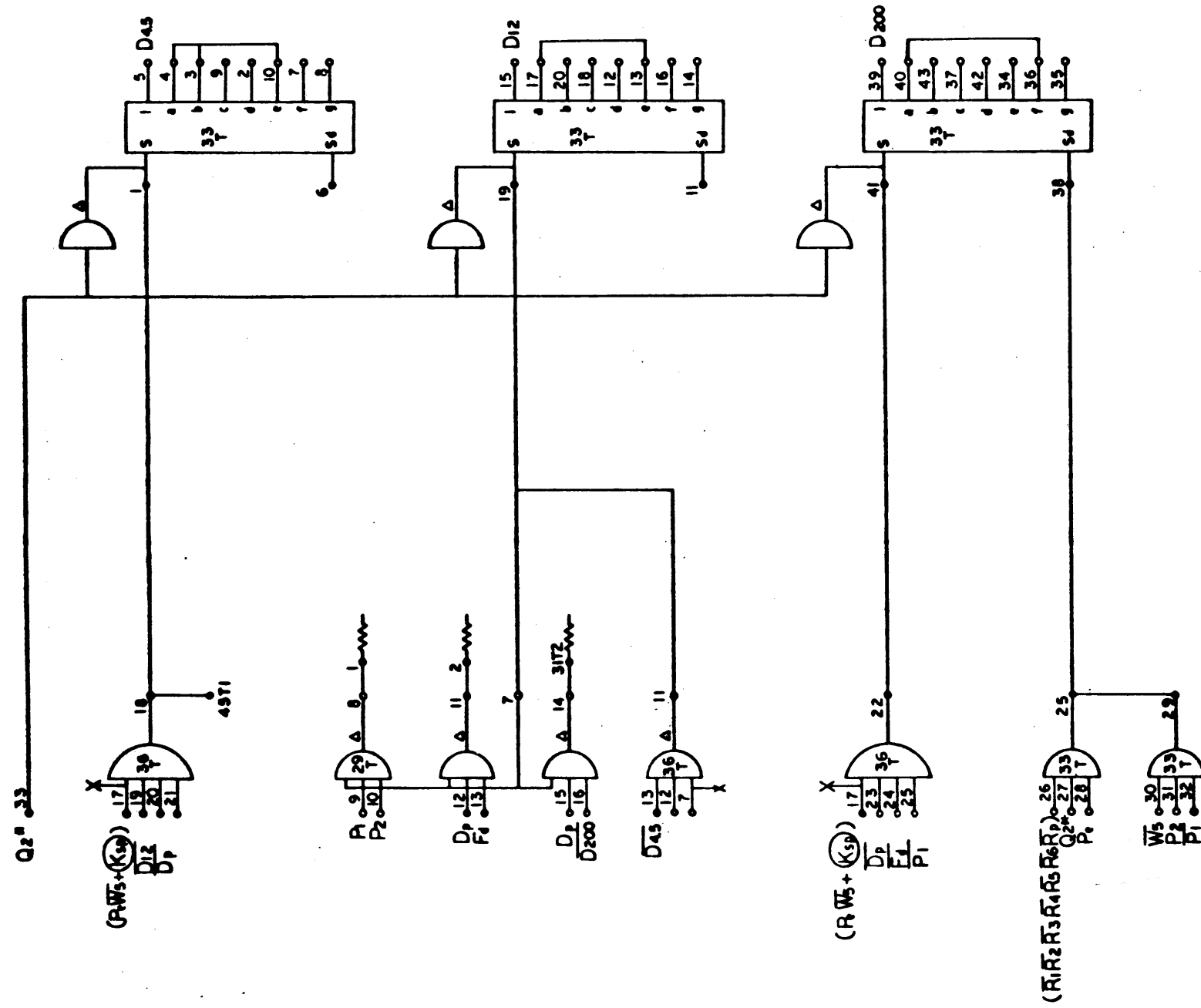


NOTES:
 1. TERMINAL 32T39 IS CONNECTED TO GND FOR MODELS S232, 9232.

KEYBOARD/PRINTER
 & PUNCH
 PAGE 8
 H

REVISIONS				107419	H
REV.	DESCRIPTION	CHK.	DATE	APPROVED	
A	REL TO MFG				
B	SEE REV E O				
H	SEE REV. E.O.				

DIAGRAM, LOGIC KEYBOARD/PRINTER & PUNCH		
REV.	107419	H
SCALE	DO NOT SCALE DRAWING	DATE 2-25-77

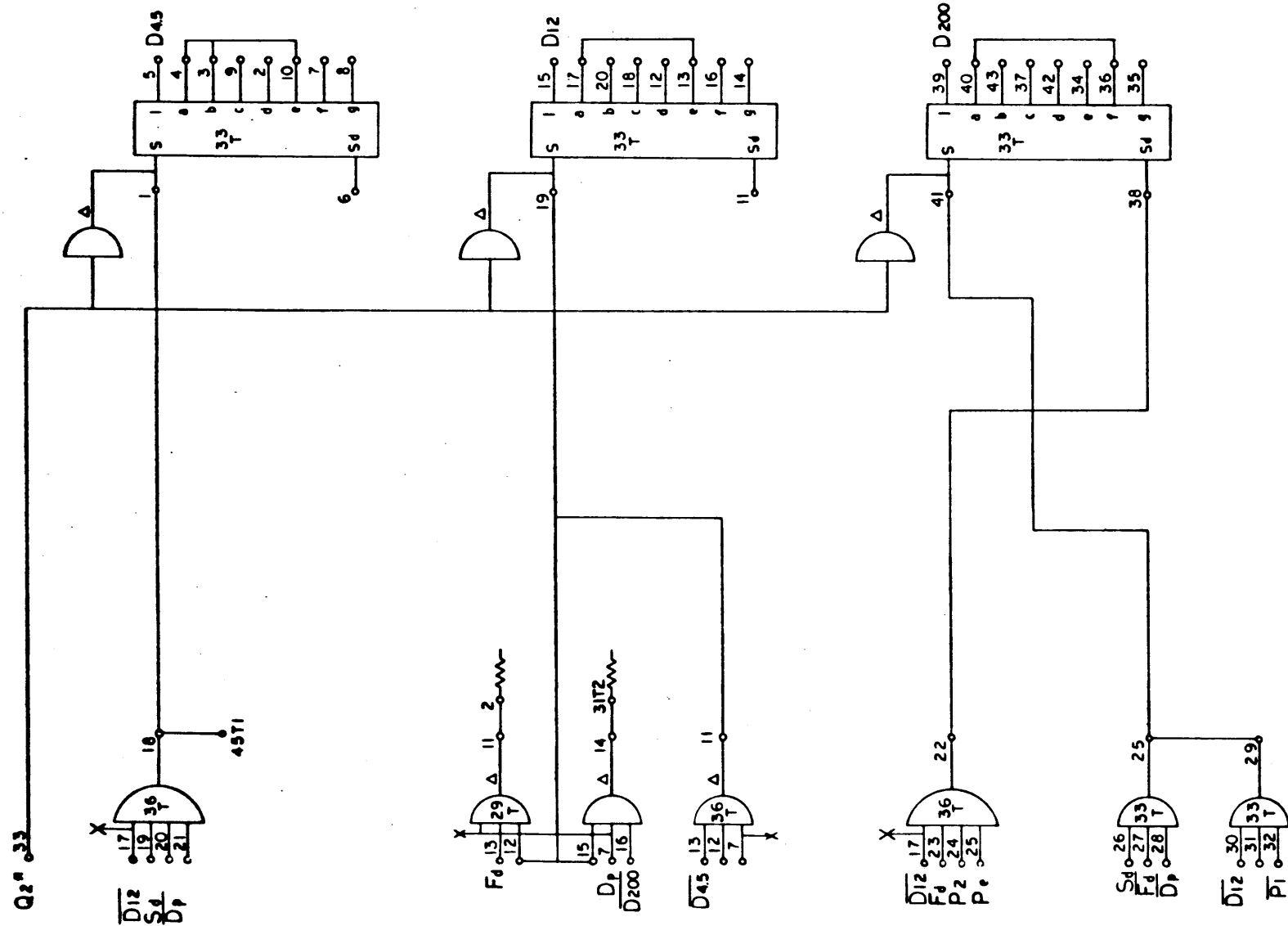


KEYBOARD/PRINTER
& PUNCH
PAGE 9
A

REVISIONS			
REV.	DESCRIPTION	CHK	DATE
A	REL TO MFG		

TITLE DIAGRAM, LOGIC KEYBOARD/PRINTER & PUNCH		
PART NO. 107419	REV. NO. A	SHEET NO. A

107419 | A |



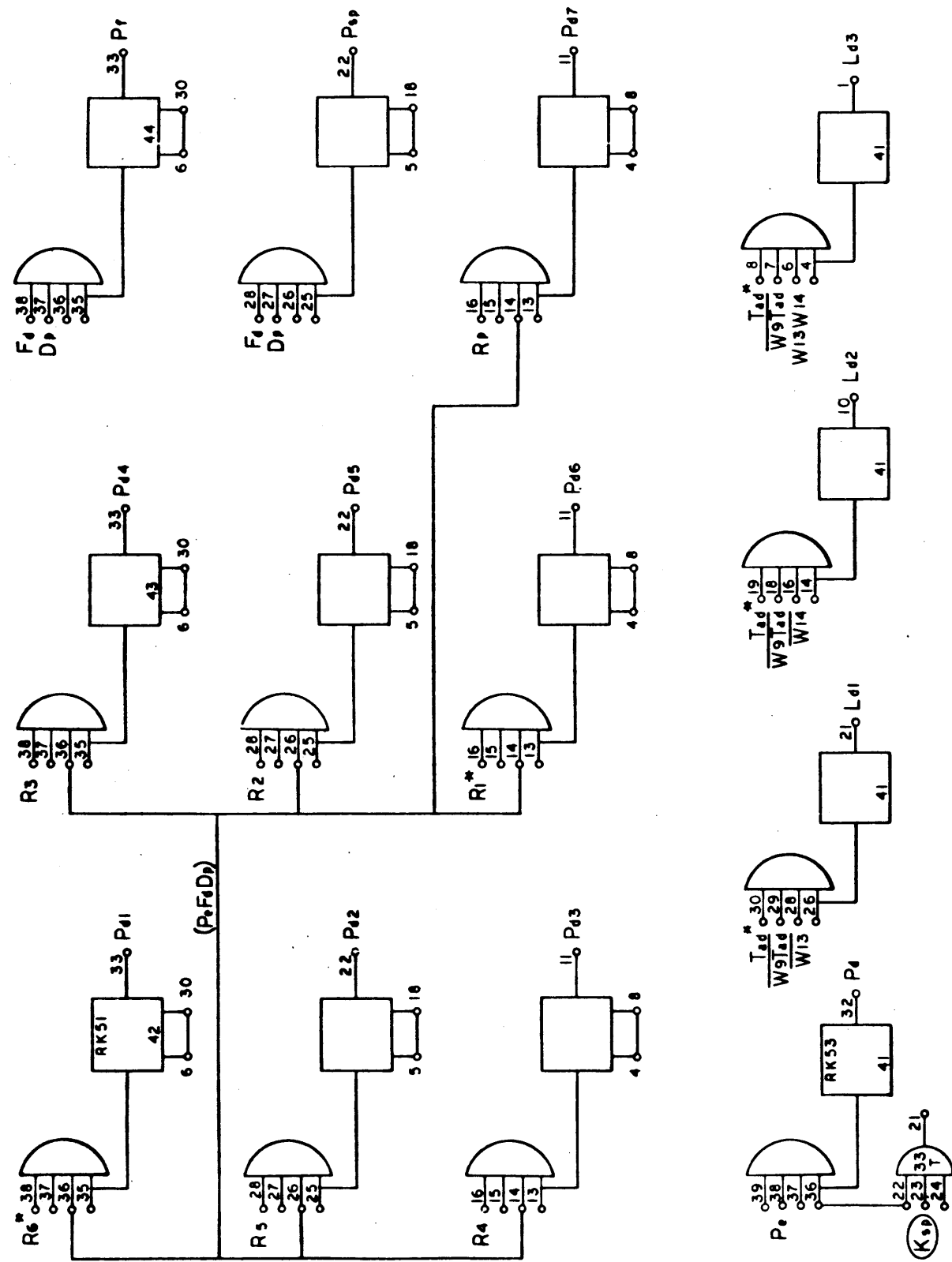
KEYBOARD/PRINTER
& PUNCH
PAGE 9
B

REVISIONS				
REV.	DESCRIPTION	CHK	DATE	APPROVED
A	REL TO MFG			
B	SEE REV E O			

107419 | 8 |



TITLE			
DIAGRAM, LOGIC KEYBOARD/PRINTER & PUNCH			
SCALE	DO NOT SCALE DRAWING	SHEET	
	107419	B	



KEYBOARD/PRINTER
& PUNCH
PAGE 10
A

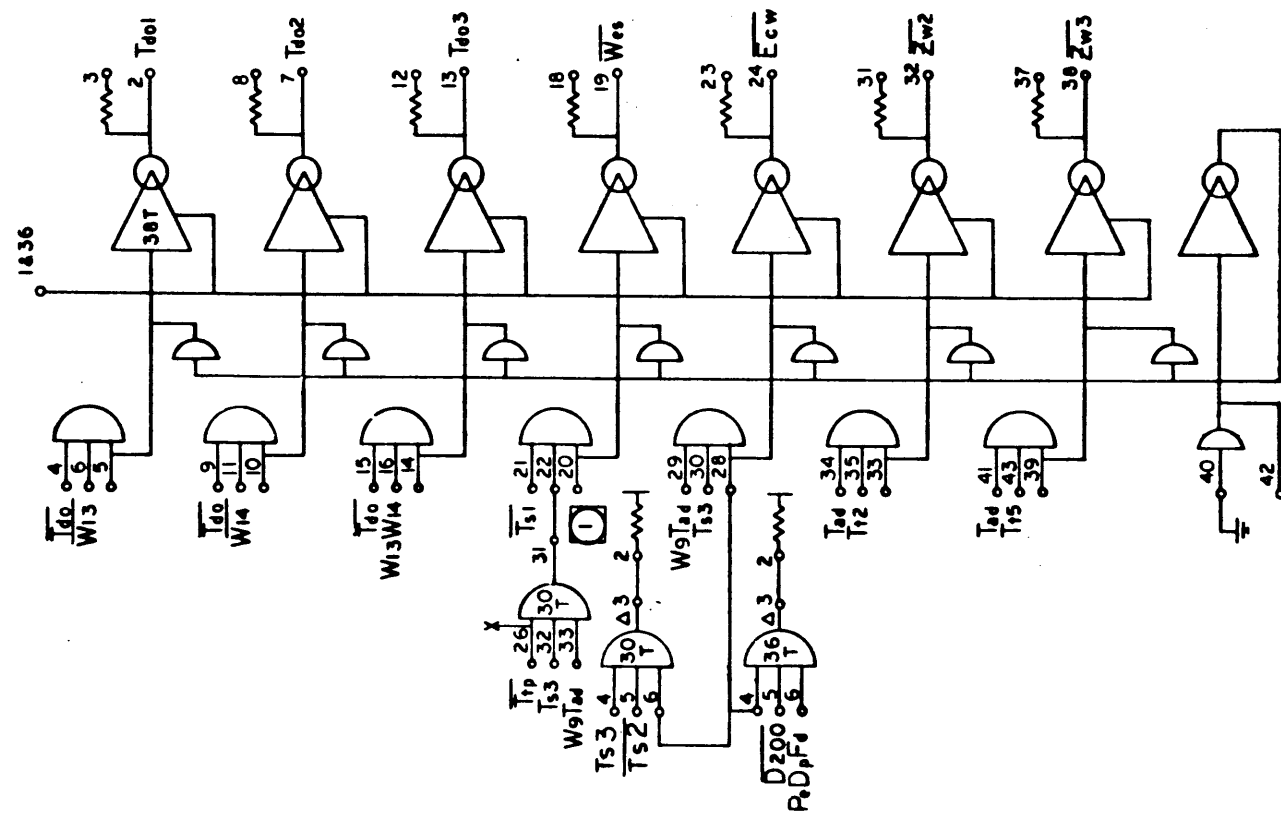
REVISIONS				107419	A
REV.	DESCRIPTION	CHK.	DATE	APPROVED	
A	REL. TO MFG.				

SDS
SCIENTIFIC DATA SYSTEMS

DIAGRAM, LOGIC
KEYBOARD/ PRINTER
& PUNCH

SCALE	DO NOT SCALE DRAWING	SHEET
REV.	107419	A

107419 | A |



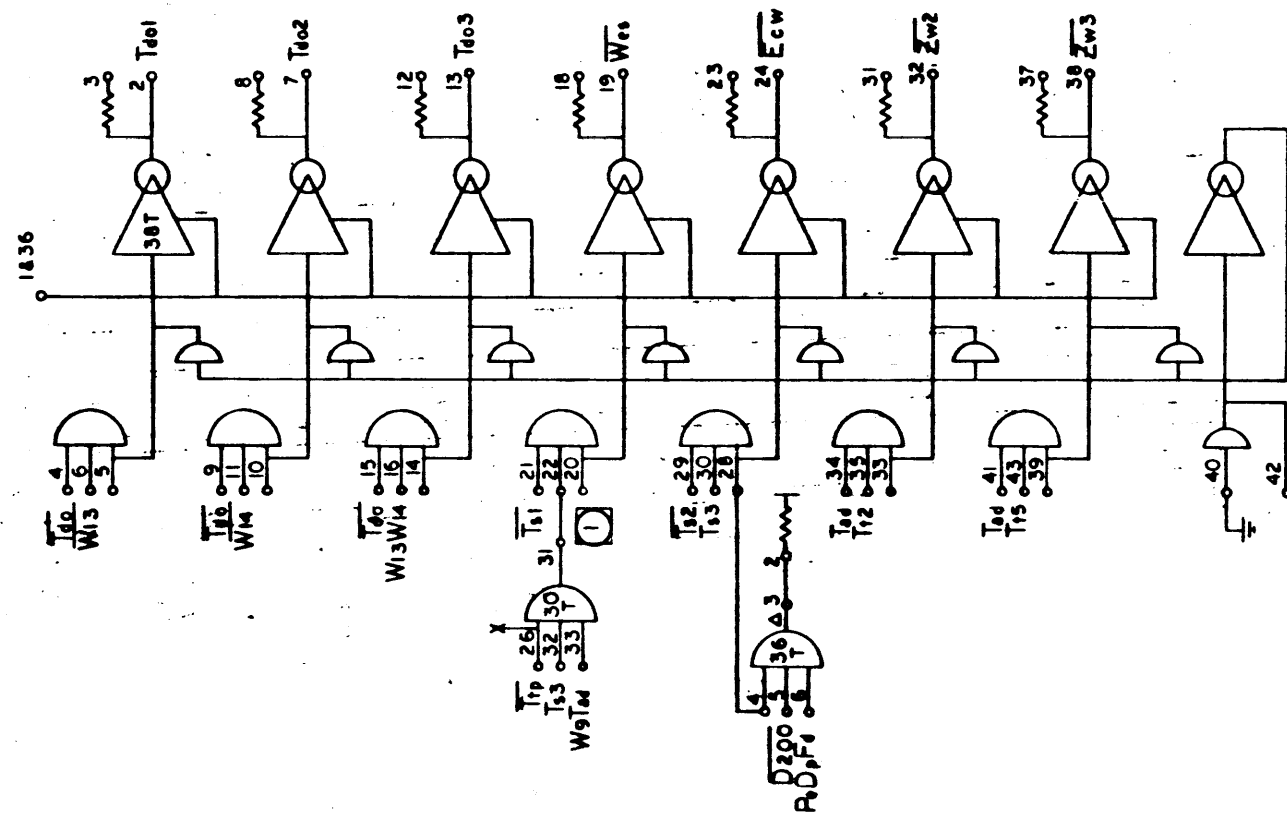
NOTES: UNLESS OTHERWISE SPECIFIED

① TERMINAL 3B1T 20 IS CONNECTED TO GND FOR A 9232 AND 9233 COUPLERS (PUNCH ONLY)

KEYBOARD/PRINTER
& PUNCH
PAGE 11
A

REV. DESCRIPTION		1074	
A	REL TO MFG	CHK DATE	APPROVED
TITLE DIAGRAM, LOGIC KEYBOARD/PRINTER & PUNCH			
SCALE	DO NOT SCALE DRAWING	DATE	DRAWN BY
		107419	A

107419 | A



NOTES: UNLESS OTHERWISE SPECIFIED

Ⓛ TERMINAL 38 T 20 AND 38T40 ARE CONNECTED TO GRD FOR A 9232 AND 9233 COUPLERS (PUNCH ONLY)

KEYBOARD/PRINTER
& PUNCH
PAGE 11
B

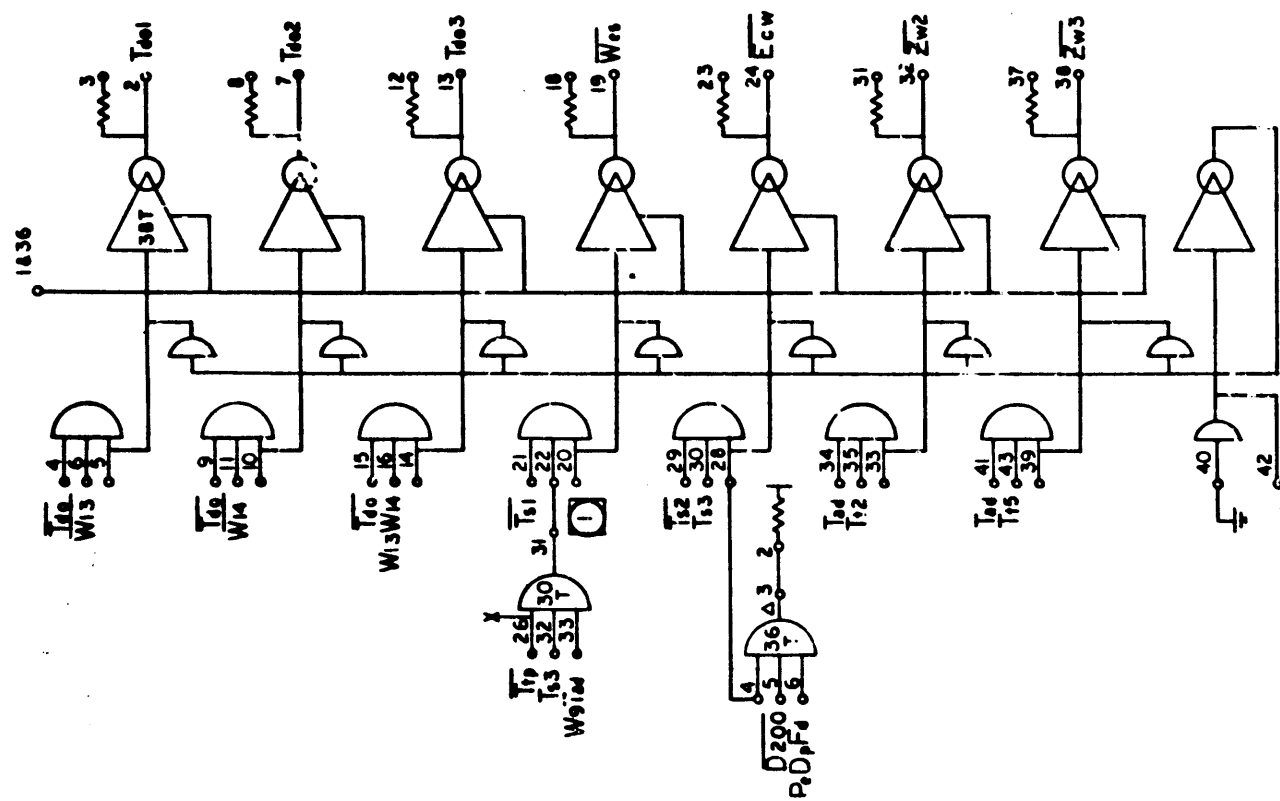
REVISIONS				107419	B
REV.	DESCRIPTION	CHK	DATE	APPROVED	
A	REL TO MFG				
B	SEE REV E O				

SID
SCIENTIFIC DATA SYSTEMS
DATA ENTRY SYSTEMS

DIAGRAM, LOGIC
KEYBOARD/PRINTER
& PUNCH

SCALE	DO NOT SCALE DRAWING	SHEET
	107419	B

107419 B



NOTES: UNLESS OTHERWISE SPECIFIED

1 TERMINAL 38T20 AND 38T30 ARE CONNECTED TO GRD FOR 9232 AND 9233 COUPLERS (PJMCH ONLY)

KEYBOARD/PRINTER
& PUNCH
PAGE 11
E

REVISIONS		107419	
REV.	DESCRIPTION	CHK.	DATE
A	REL TO MFG		
B	SEE REV E O		
E	SEE REV E O.		

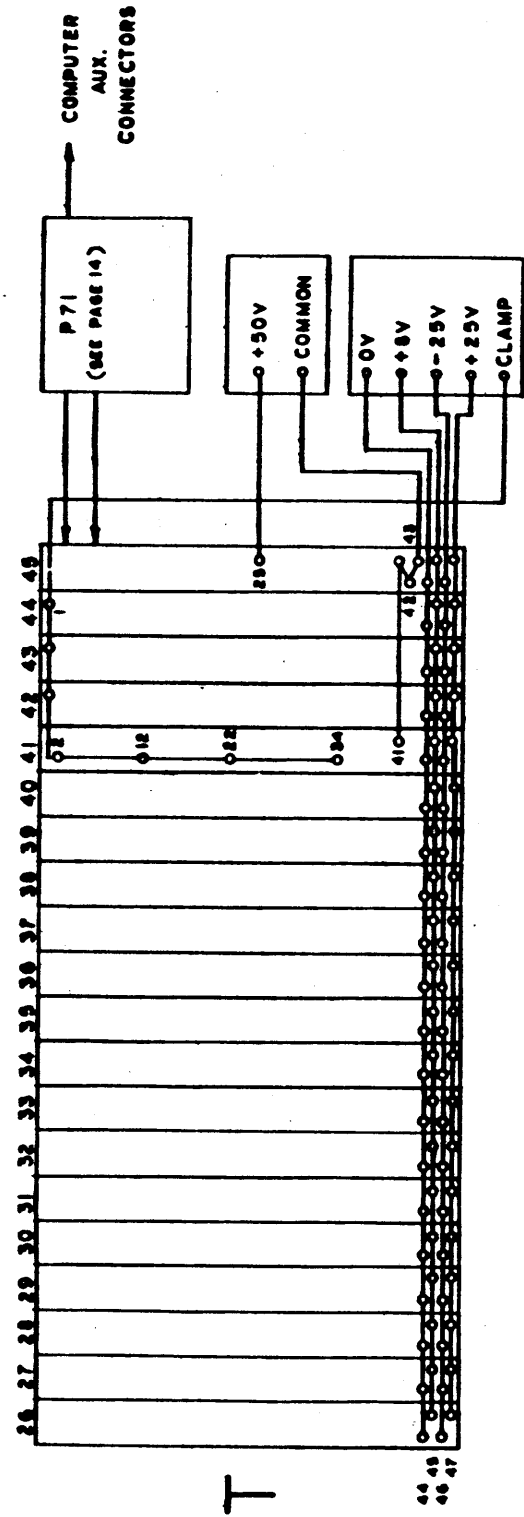
DD

DIAGRAM, LOGIC
KEYBOARD/PRINTER
& PUNCH

REV.	107419	REV.	E
------	--------	------	---

12 OF 7

107419 E



MODULE CHART

LOCATION	45	44	43	42	41	40	39	38	37	36	35	34	33	32	31	30	29	28	27	26	
TYPE	--	RK	RK	RK	RK	IC	FC	AX	FH	GK	IC	BH	OX	IK	GK	GK	FK	FC	FC	CX	
KEY	6	4	4	4	8	10	2	20	2	2	10	2	2	2	2	2	2	2	2	2	3
	30	44	44	44	22	34	32	24	32	22	34	26	46	8	22	22	22	22	22	32	33
		①	①	①	②	②	②	①	②	①	②	②	②	②	②	②	②	②	②	②	②

NOTES:

- ① USED WITH MODEL 9232 & 9233.
- ② USED WITH MODEL 9234.
- ③ USED WITH MODEL 9237.

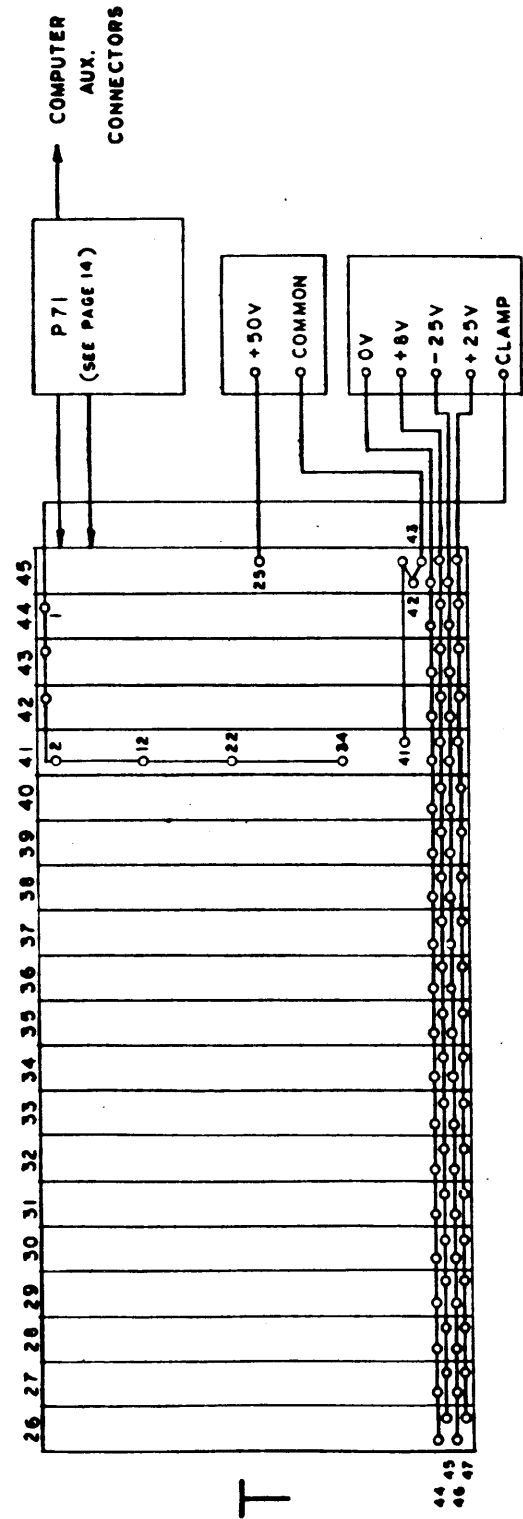
KEYBOARD / PRINTER
& PUNCH
PAGE 12
A

REVISIONS				10749 A	
REV.	DESCRIPTION	CHK.	DATE	APPROVED	
A	REL. TO MFG.	YV	1/7	WUB	

DIAGRAM LOGIC
KEYBOARD PRINTER
& PUNCH

SCALE	DO NOT SCALE DRAWING	INCHES	107419	A
-------	----------------------	--------	--------	---

107419 A



T

44 45
46 47

MODULE CHART

LOCATION	45	44	43	42	41	40	39	38	37	36	35	34	33	32	31	30	29	28	27	26	
TYPE	--	RK	RK	RK	IC	IC	FC	AX	FH	GK	IC	BH	OX	IK	GK	GK	GK	FC	FC	CX	
KEY	6	4	4	4	8	10	2	20	2	2	10	2	2	2	2	2	2	2	2	2	3
	30	44	44	44	22	54	52	24	52	22	34	26	46	8	22	22	22	22	32	32	33
		①	①	①	②	②	②	②	②	②	②	②	②	②	②	②	②	②	②	②	②

NOTES:

- ① USED WITH MODEL 9232 & 9233.
- ② USED WITH MODEL 9234.
- ③ USED WITH MODEL 9237.

KEYBOARD / PRINTER
& PUNCH
PAGE 12
B

REVISIONS				
REV.	DESCRIPTION	CHK	DATE	APPROVED
A	REL. TO MFG.			
B	SEE REV E O			



DIAGRAM LOGIC
KEYBOARD PRINTER
& PUNCH

107419

B

107419 B

MODULE LIST

9232 & 9233

ITEM	DESCRIPTION	MODEL	QTY
1	CABLE DRIVER	AX14	1
2	OR GATE BUFFER AMP	BH11	1
3	UNIVERSAL FLIP FLOP	FH17	1
4	DIODE GATE #1	GK51	3
5	AND---INVERTER	IC12	2
6	INVERTER AMPLIFIER	IK51	1
7	ONE SHOT MULTIVIBRATOR	OX13	1
8	RELAY DRIVER	RK51	3
9	RELAY DRIVER	RK53	1

9234

ITEM	DESCRIPTION	MODEL	QTY
1	CABLE DRIVER	AX14	1
2	OR GATE BUFFER AMP	BH11	1
3	TUNING FORK OSCILLATOR	CX16	1
4	UNIVERSAL FLIP FLOP	FC17	3
5	UNIVERSAL FLIP FLOP	FH17	1
6	DIODE GATE #1	GK51	4
7	AND---INVERTER	IC12	2
8	INVERTER AMPLIFIER	IK51	1
9	ONE SHOT MULTIVIBRATOR	OX13	1
10	RELAY DRIVER	RK51	3
11	RELAY DRIVER	RK53	1

9237

ITEM	DESCRIPTION	MODEL	QTY
1	CABLE DRIVER	AX14	1
2	OR GATE BUFFER AMP	BH11	1
3	TUNING FORK OSCILLATOR	CX16	1
4	UNIVERSAL FLIP FLOP	FC17	3
5	DIODE GATE #1	GK51	4
6	AND---INVERTER	IC12	2
7	INVERTER AMPLIFIER	IK51	1
8	RELAY DRIVER	RK53	1

REPLACEMENT PARTS LIST

ITEM	DESCRIPTION	DESIGNATION	QTY	SUPPLIERS CODE (SEE INDEX)
1	RESISTOR, 470Ω ±2%	(P71) R1 THRU R15	15	2, 3, 11, 12
2	RESISTOR, 6.2K ±2%	(P71) R16 THRU R24	9	16, 17
3	INDUCTOR, MOLDED 224μH ±5%	(P71) L1 THRU L15	15	42, 70, 90
4	DIODE, SILICON SWITCHING (SDS 103)	(P71) D1 THRU D9	9	6, 11, 18, 20, 21, 23
5	RESISTOR, 270Ω ±2%	(TB "C") R1	1	2, 3, 11, 12
6	RESISTOR, 10Ω ±5%	(TB "C") R2	1	11, 12, 13, 14, 15, 17, 18, 19, 20, 21
7	CONNECTOR, SOLDER TAIL 47 CONTACT #7008-47	J(26T) THRU J(45T)	20	82
8	TERMINAL, TAPER TAB 187 SERIES, #54110-2	TB "C"	11	145
9	BLOCK, TERMINAL MOLDED BARRIER 140 SERIES, #353-11-15- 100	(19 TERMINAL) TB1-T	1	60

KEYBOARD/PRINTER
& PUNCH
PAGE 13
A

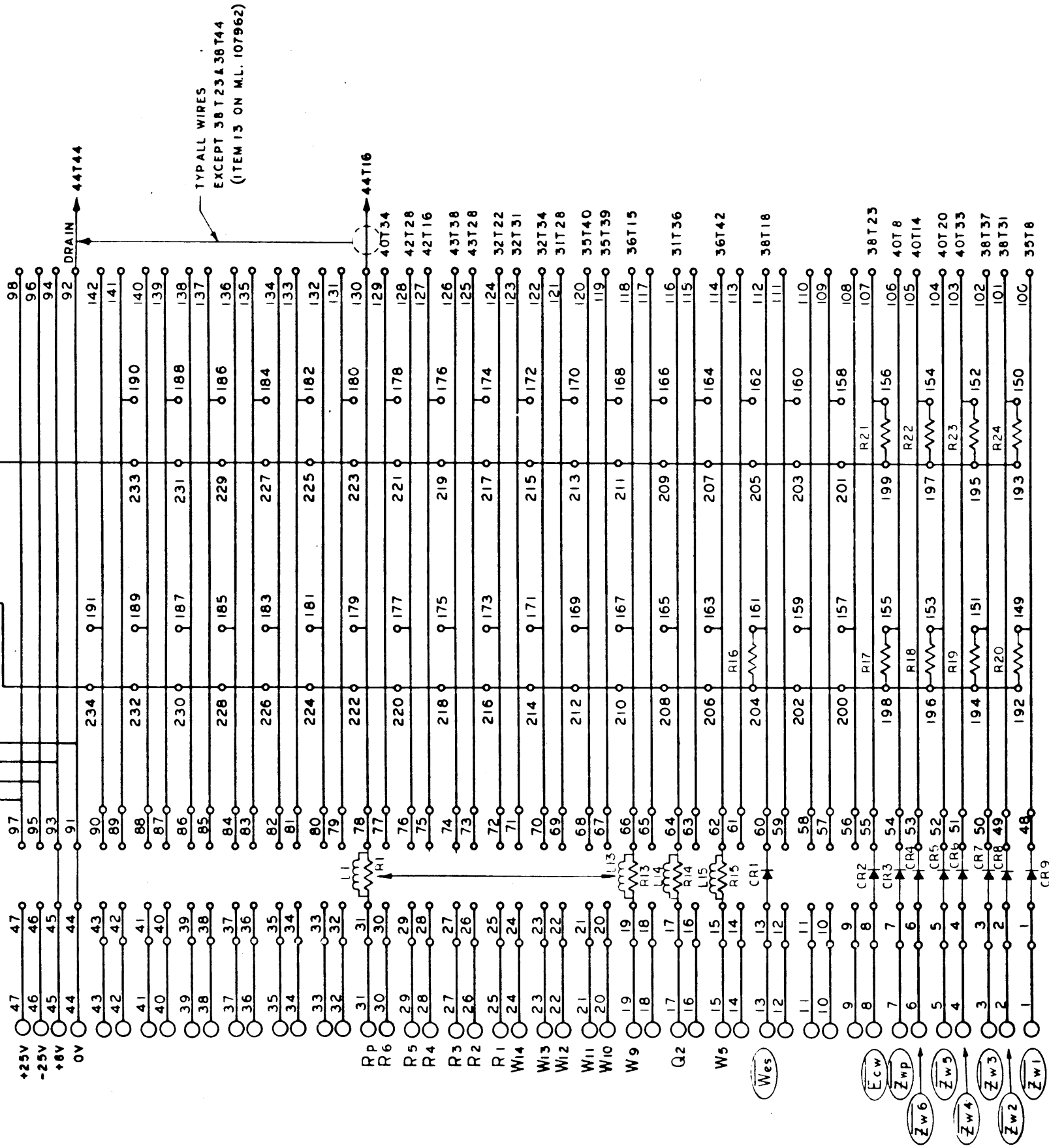
REVISIONS				107419	A
REV.	DESCRIPTION	CHK.	DATE	APPROVED	
A	RELEASED TO MFG.	W	W	W	

TITLE DIAGRAM, LOGIC KEYBOARD/PRINTER & PUNCH		
SCALE	DO NOT SCALE DRAWING	SHEET
	107419	A

107419 A

DESIGNATION	P71
LOCATION	AUX. CONN.
KEY	6 & 26

CABLE PLUG MODULE
9232/9237
COUPLER



KEYBOARD / PRINTER?
& PUNCH
PAGE 14
A

REVISIONS			
REV.	DESCRIPTION	CHK	DATE
A	REL. TO MFG.		

107419 A


TITLE		
DIAGRAM, LOGIC KEYBOARD/PRINTER & PUNCH		
REV.	DWG. NO.	CHANGE LETTER
	107419	A
SCALE	DO NOT SCALE DRAWING	SHEET

107419 | A |

<u>Page</u>	<u>Signal</u>	<u>Page</u>	<u>Signal</u>	<u>Page</u>	<u>Signal</u>
4	Dp	7	(R1 R2 R3 R4 R5 R6 Rp)	3	Ts1
4	Dp	6	R2	2	[Ts1 Ton]
9	D4.5	6	R3	3	Ts2
5	D4.5	6	R4	3	Ts2
9	D12	6	R5	2	Ts3
5	D12	8	R6*	2	Ts3
9	D200	6	R6	8	Ttc
5	D200	2	[R6 W9 Tad]	2	Ttp
4	Fd	5	Rsp	2	Ttp
4	Fd	6	Rp	2	Tt1
4	Pl	5	Tab	2	Tt1
4	Pl	5	Tad	1	Tt2
4	P2	6	(W13 W14)	1	Tt2
10	Pd	8	W13	1	Tt3
10	Pd1	8	W14	1	Tt3
10	Pd2	6	Tad*	1	Tt4
10	Pd4	8	Tad	1	Tt4
10	Pd5	8	Tc	1	Tt5
10	Pd6	3	Tc1	1	Tt5
10	Pd7	3	Tc2	2	Tt6
7	Pe	5	Tdc	2	Tt6
7	Pe Fd Dp	5	Tdc	8	Txr
10	Pf	8	Ido	8	W5
10	Psp	8	Tdi	8	(W9 Tad)
7	Q2*	5	Tdi	5	W9 Tad
8	R1*	5	Ton	5	W10 W11
6	R1	3	Ts1	8	W12 (W13 + W14)
Total Signals				81	

DIRECTORY

KEYBOARD/PRINTER
& PUNCH
PAGE 15
A

REVISIONS				107419	A
REV.	DESCRIPTION	CHK.	DATE	APPROVED	
A	RELEASED TO MFG.				
 DIAGRAM, LOGIC KEYBOARD/PRINTER & PUNCH					
107419		A			
DO NOT SCALE DRAWING					

107419 | A


<u>Page</u>	<u>Signal</u>	<u>Page</u>	<u>Signal</u>	<u>Page</u>	<u>Signal</u>
4	Dp	7	Rz	3	Ts1
4	Dp	6	R2	2	[Ts1 Ton W9Tad]
9	D4.5	6	R3	3	Ts2
5	D4.5	6	R4	3	Ts2
9	D12	6	R5	2	Ts3
5	D12	8	R6*	2	Ts3
9	D200	6	R6	8	Ttc
5	D200	2	[R6 W9 Tad]	2	Ttp
4	Fd	5	Rsp	2	Ttp
4	Fd	6	Rp	2	Ttl
4	P1	7	Sd	2	Tt1
4	P1	5	Tab	1	Tt2
4	P2	5	Tad	1	Tt2
10	Pd			1	Tt3
10	Pd1			1	Tt3
10	Pd2	6	Tad*	1	Tt4
10	Pd4	8	Tad	1	Tt4
10	Pd5	8	Tc	1	Tt5
10	Pd6	3	Tc1	1	Tt5
10	Pd7	3	Tc2	2	Tt6
7	Pe	5	Tdc	2	Tt6
7	Pe Fd Dp	5	Tdc	8	Txr
10	Pf	8	Tdo	8	W5
10	Psp	8	Tdi	8	(W9 Tad)
7	Q2*	5	Tdi	5	W9 Tad
8	R1*	5	Ton	5	W10 W11
6	R1	3	Ts1	8	W12 (W13 + W14)
				6	(W13 W14)
				8	W13
				8	W14
					Total Signals 82

DIRECTORY

KEYBOARD/PRINTER
& PUNCH
PAGE 15
B

REVISIONS				
REV.	DESCRIPTION	CHK	DATE	APPROVED
A	RELEASED TO MFG			
B	SEE REV E O			

107419 B



SDS
SCIENTIFIC DATA SYSTEMS
SANTA ANITA, CALIFORNIA

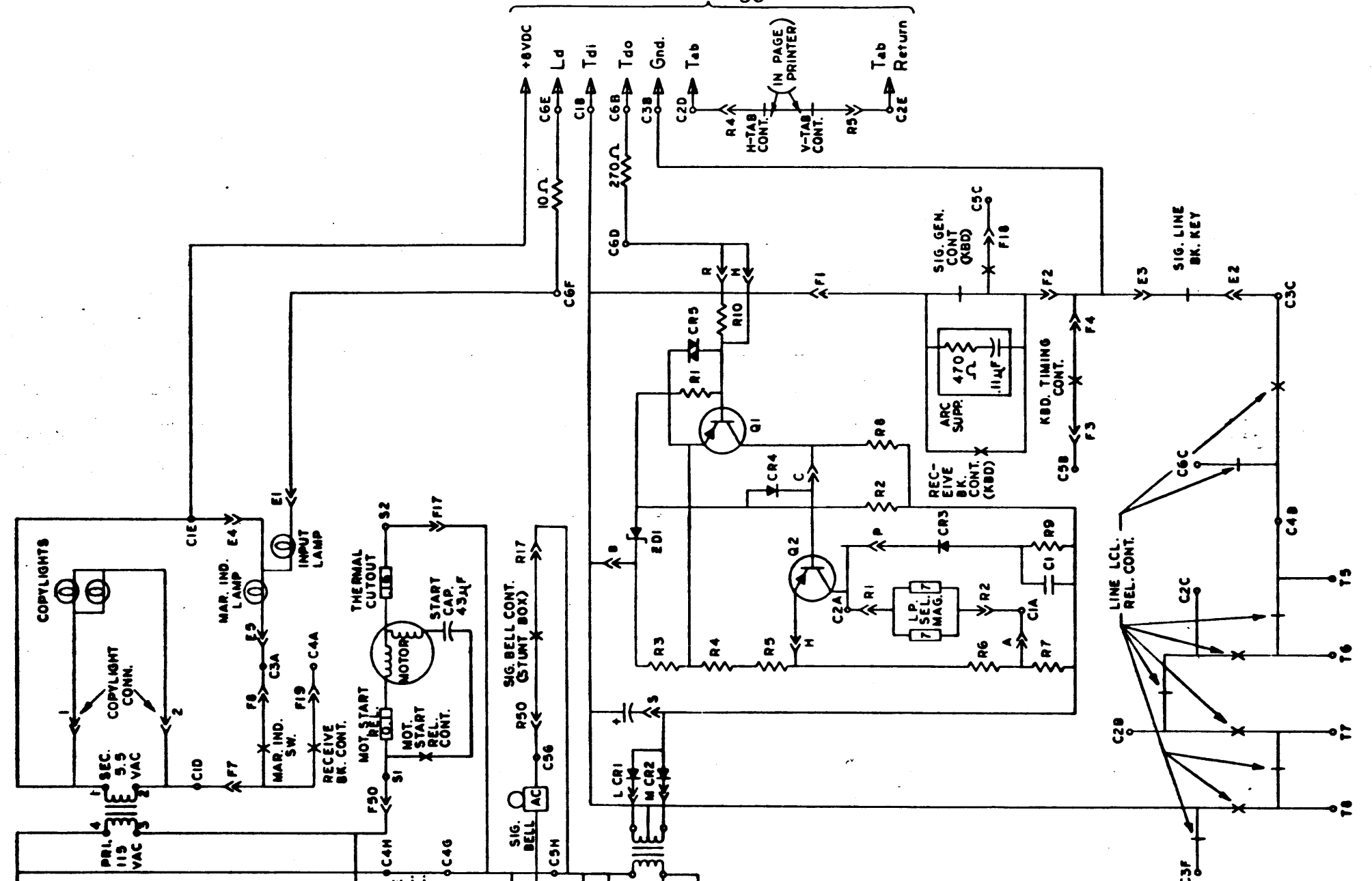
TITLE
DIAGRAM, LOGIC
KEYBOARD/PRINTER
& PUNCH

NO. 107419 SHEET B

SCALE DO NOT SCALE DRAWING SHEET

107419 B

REVISIONS		107419		A
REV.	DESCRIPTION	CHK	DATE	APPROVED
A	RELEASED TO MFG.	W	7/74	W.B. Lee



KEYBOARD/PRINTER
& PUNCH
PAGE 16
A

NOTES:

1. FOR ACTUAL WIRING DIAGRAMS OF INDIVIDUAL UNITS SEE TELETYPE DRAWINGS INCLUDED WITH EACH 9239.

WD NO.	UNIT
6362WD	KEYBOARD LK 804
6046WD	ELECTRICAL SERVICE UNIT
6043WD	LESU 309 & LESU 310
6043WD	FRICTION FEED PAGE
6044WD	PRINTER LP 813
6044WD	SPROCKET FEED PAGE
6380WD	PRINTER LP 814
6380WD	POWER PANEL

2. LEGEND:

- o S MOTOR TERMINAL BLOCK (ON KBD).
- o T PWR. & SIG. LINE TERM. BLOCK (ON LESU).
- o C WIRING FIELD (ON LESU).
- >> F KEYBOARD BASE CONNECTOR.
- >> R PAGE PRINTER CONNECTOR.
- o P POWER SWITCH (ON PANEL).
- >> E POWER PANEL CONNECTOR.
- NORMALLY OPEN CONTACT.
- NORMALLY CLOSED CONTACT.

3. ALL APPARATUS IS SHOWN IN UN-OPERATED OR DE-ENERGIZED POSITION.

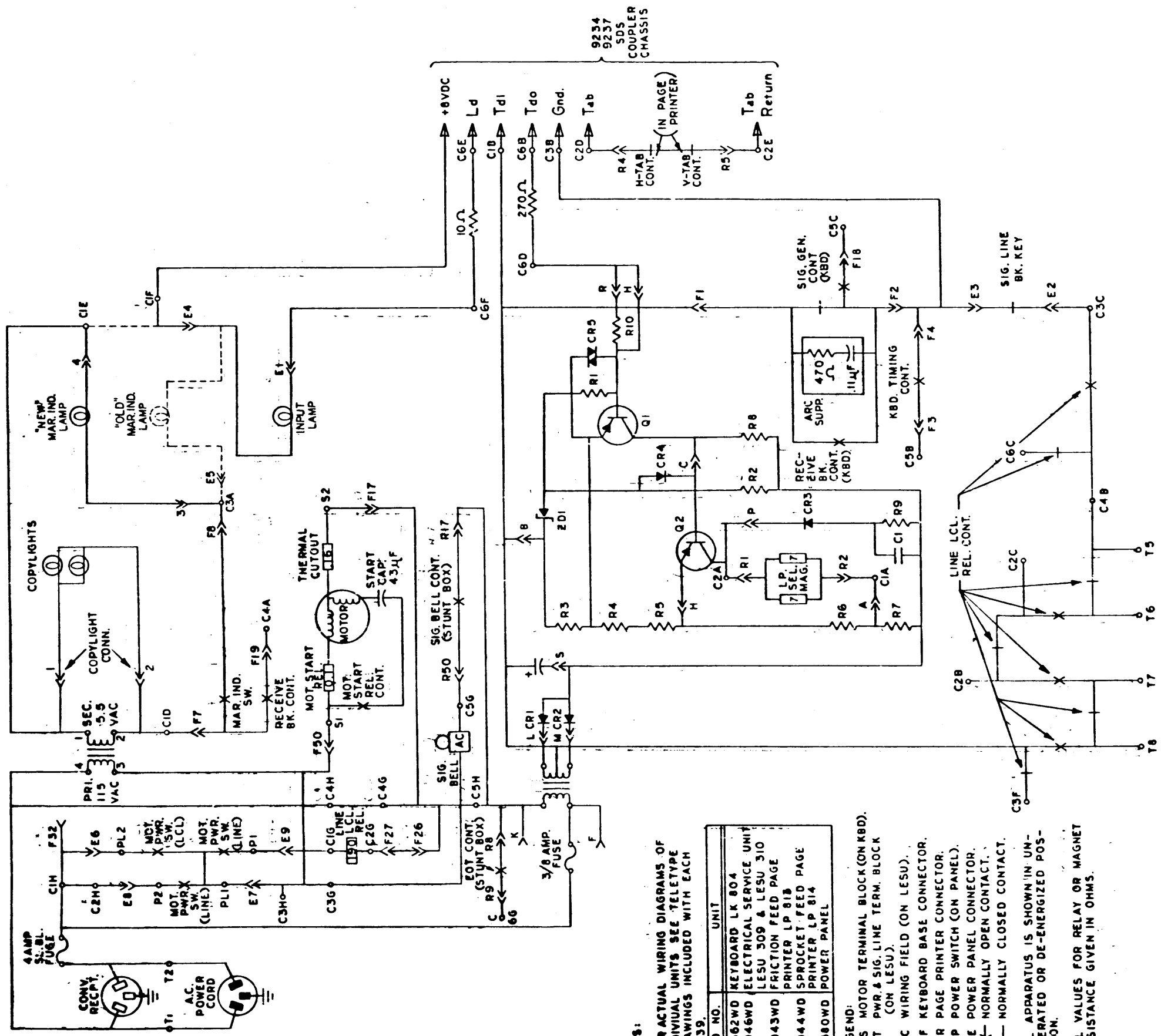
4. ALL VALUES FOR RELAY OR MAGNET RESISTANCE GIVEN IN OHMS.

QDS
QUALITY DATA SYSTEMS
DIGITAL RECORD SYSTEMS

**DIAGRAM, LOGIC
KEYBOARD/PRINTER
& PUNCH**

107419

A



- NOTES:**
- FOR ACTUAL WIRING DIAGRAMS OF INDIVIDUAL UNITS SEE TELETYPE DRAWINGS INCLUDED WITH EACH 9239.
- | WD NO. | UNIT |
|--------|---------------------------------------------|
| 6362WD | KEYBOARD LK 804 |
| 6046WD | ELECTRICAL SERVICE UNIT LESU 309 & LESU 310 |
| 6043WD | FRICTION FEED PAGE PRINTER LP 818 |
| 6044WD | SPROCKET FEED PAGE PRINTER LP 814 |
| 6380WD | POWER PANEL |
- LEGEND:
 - OS MOTOR TERMINAL BLOCK (ON KBD).
 - OT PWR. & SIG. LINE TERM. BLOCK (ON LESU).
 - OC WIRING FIELD (ON LESU).
 - >>> F KEYBOARD BASE CONNECTOR.
 - >>> R PAGE PRINTER CONNECTOR.
 - OP POWER SWITCH (ON PANEL).
 - >>> E POWER PANEL CONNECTOR.
 - NORMALLY OPEN CONTACT.
 - NORMALLY CLOSED CONTACT.
 - ALL APPARATUS IS SHOWN IN UN-OPERATED OR DE-ENERGIZED POSITION.
 - ALL VALUES FOR RELAY OR MAGNET RESISTANCE GIVEN IN OHMS.

KEYBOARD/PRINTER
& PUNCH
PAGE 16
C

REVISIONS				
REV.	DESCRIPTION	CHK	DATE	APPROVED
A	RELEASED TO MFG.		7/54	
C	SEE REVISION E0			

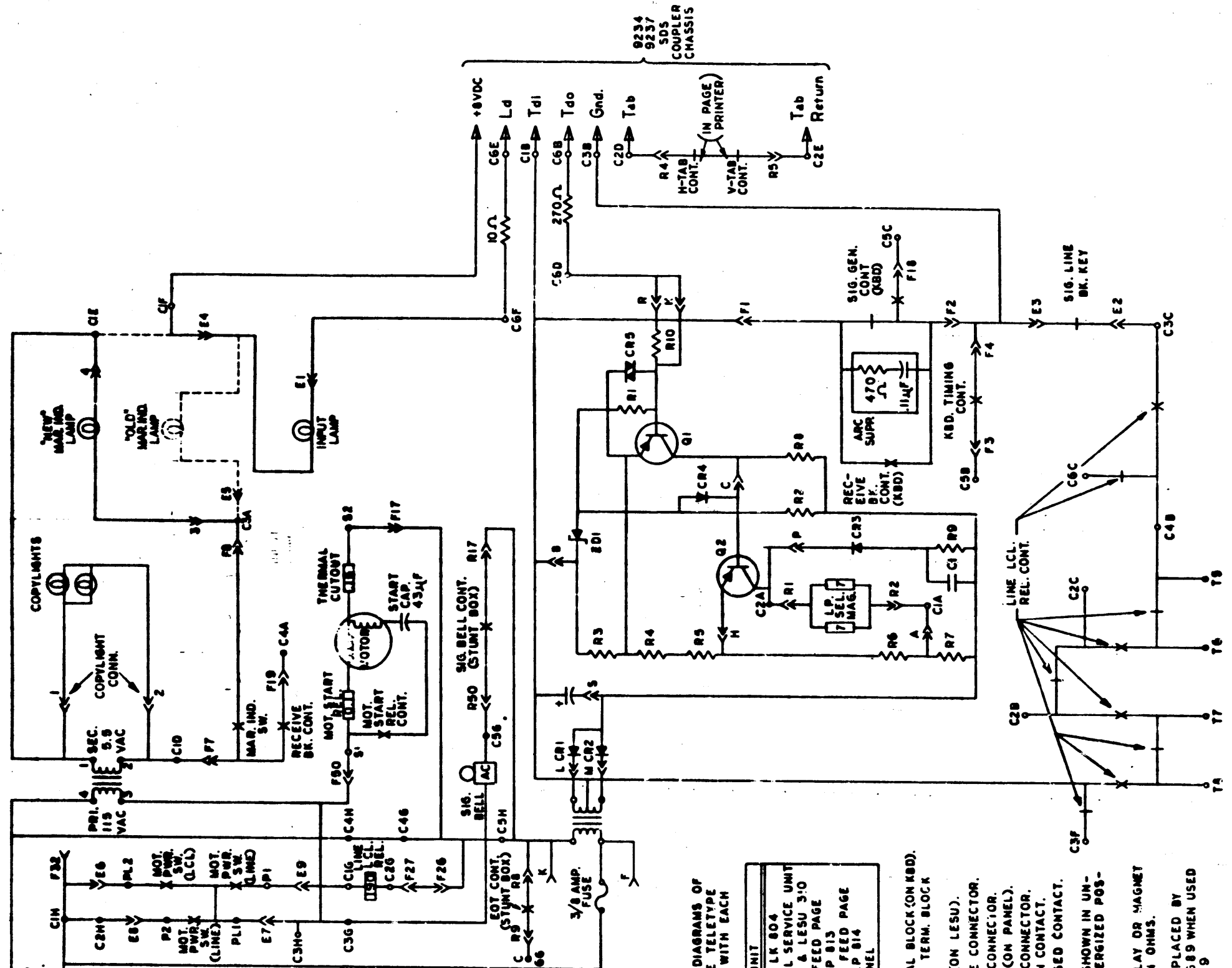
SDS
SHRINE ELECTRONIC SYSTEMS
A DIVISION OF SPECTRUM TECHNOLOGIES

**DIAGRAM, LOGIC
KEYBOARD/PRINTER
& PUNCH**

107419

C

SHEET 16 OF 16



- NOTES:**
- FOR ACTUAL WIRING DIAGRAMS OF INDIVIDUAL UNITS SEE TELETYPE DRAWINGS INCLUDED WITH EACH 9239
 - LEGEND:
 - o S MOTOR TERMINAL BLOCK (ON KBD).
 - o T PWR. & SIG. LINE TERM. BLOCK (ON LESU).
 - o C WIRING FIELD (ON LESU).
 - >> F KEYBOARD BASE CONNECTOR.
 - >> R PAGE PRINTER CONNECTOR.
 - o P POWER SWITCH (ON PANEL).
 - >> E POWER PANEL CONNECTOR.
 - x- NORMALLY OPEN CONTACT.
 - + NORMALLY CLOSED CONTACT.
 - ALL APPARATUS IS SHOWN IN UN-OPERATED OR DE-ENERGIZED POSITION.
 - ALL VALUES FOR RELAY DR MAGNET RESISTANCE GIVEN IN OHMS.
 - THIS SHEET TO BE REPLACED BY SCHEMATIC DWG 113689 WHEN USED FOR MODEL NO. 9439

WD NO.	UNIT
6362WD	KEYBOARD LK 804
6046WD	ELECTRICAL SERVICE UNIT
LESU 309 & LESU 310	
6043WD	FRICTION FEED PAGE PRINTER LP 813
6044WD	SPROCKET FEED PAGE PRINTER LP 814
6380WD	POWER PANEL

KEYBOARD/PRINTER
& PUNCH
PAGE 16
D

REVISIONS			
NO.	DESCRIPTION	CHK	DATE
A	RELEASED TO MFG.		
C	SEE REVISION E0		
D	SEE REV E0.		

IBM

**DIAGRAM, LOGIC
KEYBOARD/PRINTER
& PUNCH**

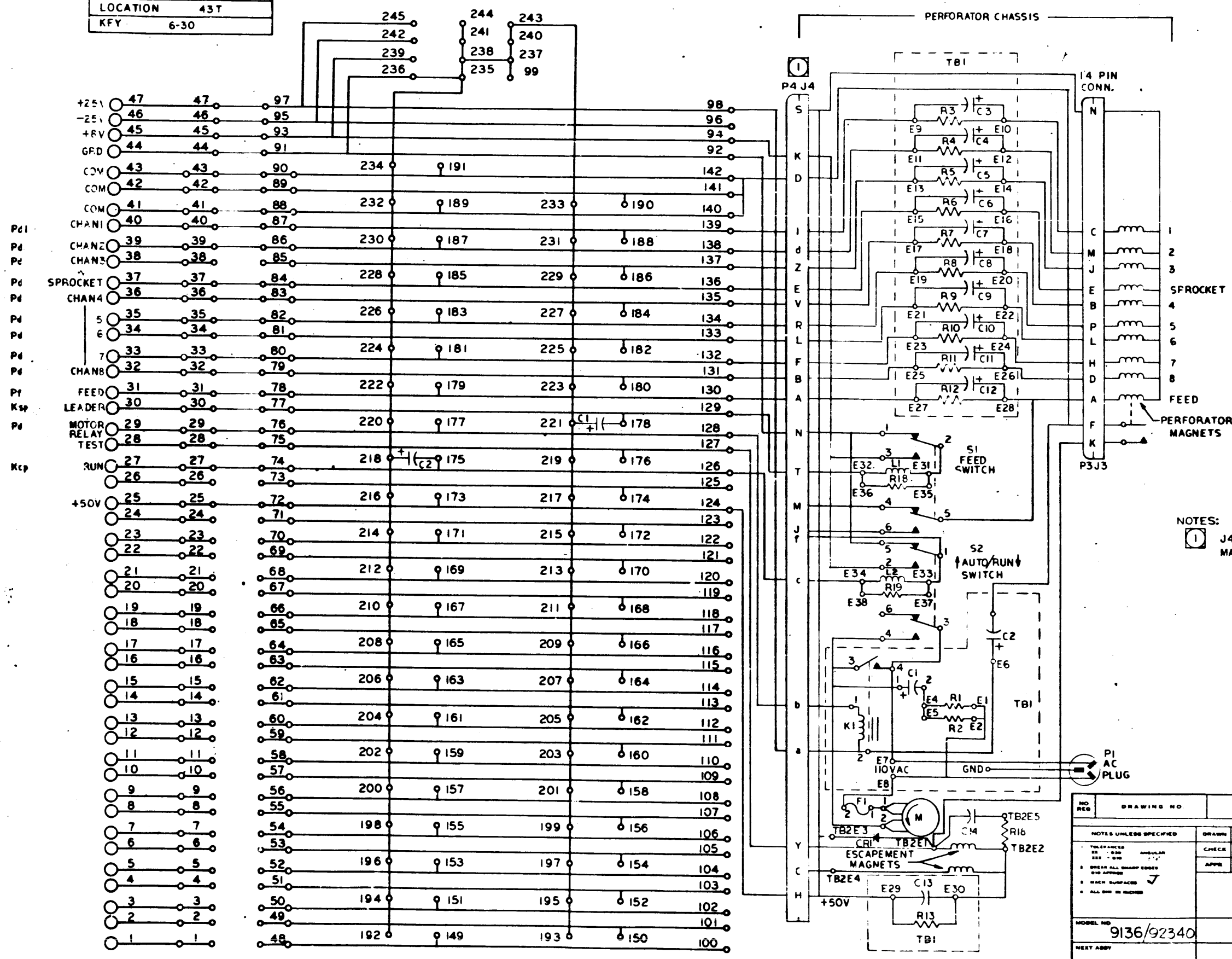
107419

D

107419 | 01

REV		DESCRIPTION	CHK	DATE	APPROVED
H		REVISED AND REDRAWN. SEE REV E0			
J		RELEASED TO MFG			
		SEE REV E0			

DESIGNATION	P5
LOCATION	43T
KFY	6-30



NOTES:
 1 J46 ON ASSY 107395 & IN VENDORS MANUAL.

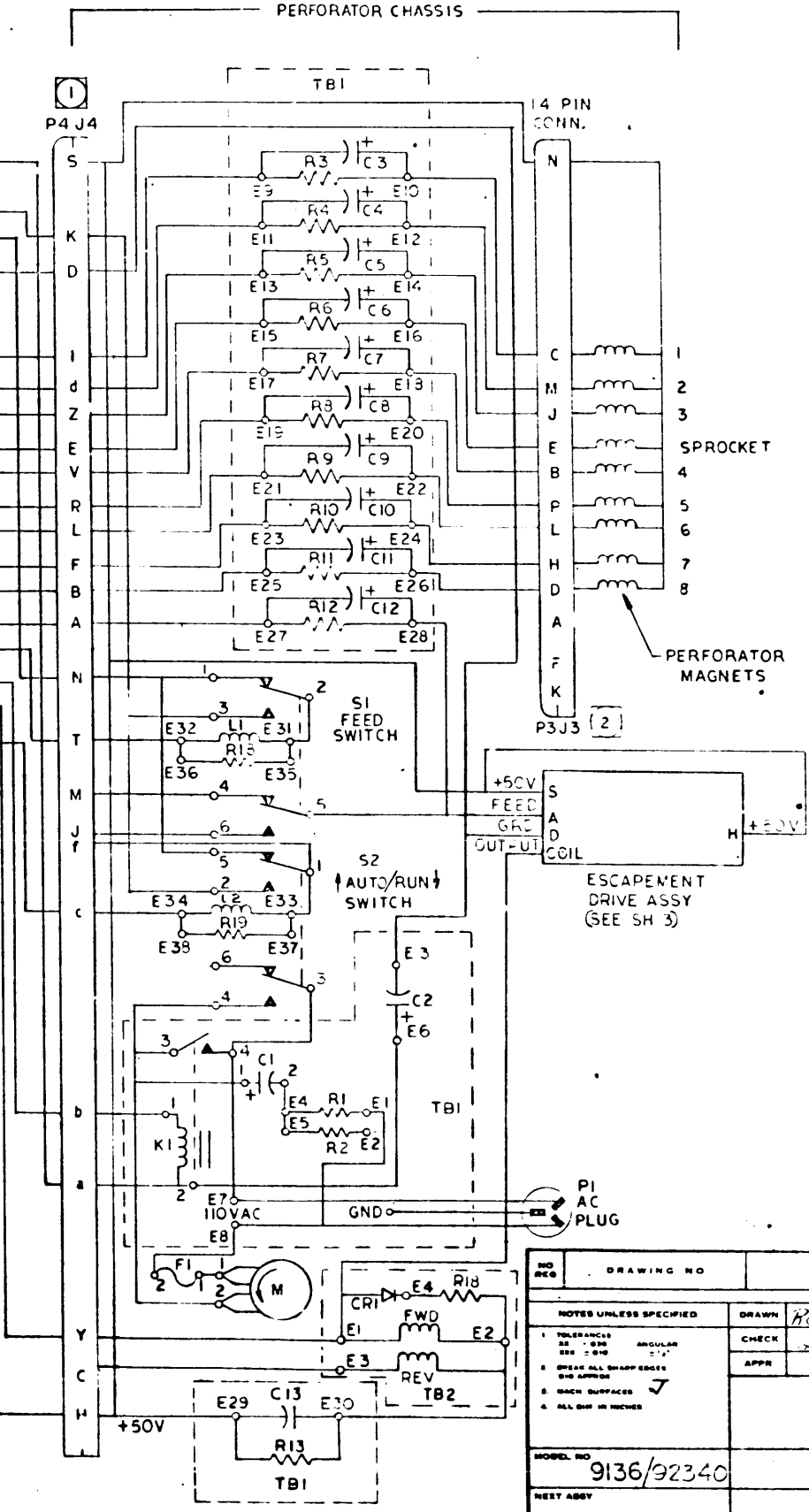
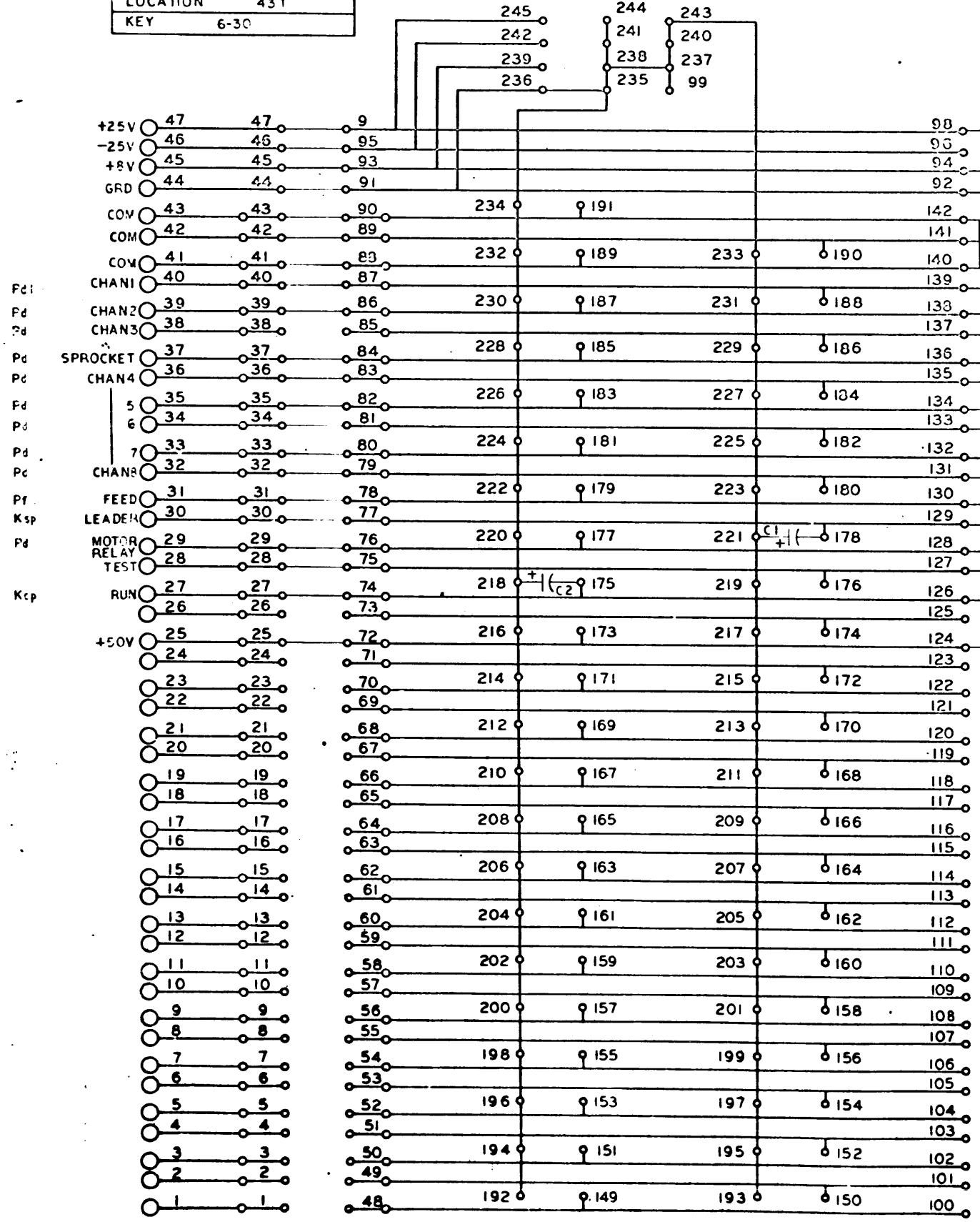
NO. REQ.	DRAWING NO.	DESCRIPTION	REFERENCE DESIGNATION	QTY.
MATERIAL LIST				
DRAWN: <i>Rosso</i> 5-2-69 CHECK: <i>...</i> APPR: <i>...</i>				
TITLE: SCHEMATIC, TAPE PERFORATOR MODEL NO: 9136/92340 SHEET: D 101163 SCALE: DO NOT SCALE DRAWING SHEET 1 OF 2				

101163 J

DESIGNATION	P5
LOCATION	43T
KEY	6-30

- NOTES:
- ① J46 ON ASSY 107395 & IN VENDORS MANUAL
 - ② P43 ON WIRE LIST 101160

REVISIONS				DATE	
REV	DESCRIPTION	CHK	DATE	APPROVED	
H	REVISED AND REDRAWN SEE REV EC				
J	RELEASED TO MFG				
K	SEE REV EC				



NO. REV.	DRAWING NO.	DESCRIPTION	REFERENCE DESIGNATION	ITEM NO.

NOTES UNLESS SPECIFIED		MATERIAL LIST	
1. TOLERANCES	AS SHOWN	DRAWN	Rosso
2. HOLE LOCATIONS	ANGULAR	CHECK	12/14
3. BREAK ALL SHARP EDGES	0.015" MIN.	APPR	
4. HATCH SURFACES	✓		
5. ALL DIM. IN INCHES			

MODEL NO.	9136/92340	SIZE	D	DWG NO.	101163	SHEET	K
TITLE		SCHEMATIC, TAPE PERFORATOR		SCALE		DO NOT SCALE DRAWING	

REVISIONS				C1163 J
REV	DESCRIPTION	CHK	DATE	APPROVED
/	SEE SHEET ONE	/	/	/

REPLACEMENT PARTS LIST

ITEM	DESCRIPTION	DESIGNATION	QTY	SUPPLIER CODE (SEE INDEX)
1	RESISTOR, 10Ω ± 2%	(TBI) R1, R2 (P5) R19	2	36, 38, 73
2	RESISTOR, WW, 150Ω ± 1%	(TBI) R3 THRU R13	11	88, 89
3	RESISTOR, 270Ω ± 2%	(TBI) R18, R19	2	36, 38, 73
4	INDUCTOR, 220 μH ± 5%	(TBI) L1, L2	2	42, 90, 91
5	CAPACITOR, OIL, 1 μF ± 20% 1000V	(TBI) C2	1	80, 81
6	CAPACITOR, TANTALUM 15 μF ± 20% 50V	(TBI) C1 THRU C13	12	23, 77
7	RELAY, A.C. CNAS-13A / 115 VAC	(TBI) K1	1	79
8	FUSE, 3AG, 3AMP, 250V, SERIES AGC SERIES 311(000) & 312(000)	F1	1	49 48
9	CONNECTOR, 34 PIN FEMALE #34-20S	P4	1	98
10	CONNECTOR, 34 PIN MALE #34-20P	J4	1	98
11	CORD, AC CORD #16/3, SPT-3 WITH PLUG #PA-3	P1	1	101
12	RESISTOR, 100Ω ± 2%	R18	1	16, 17
13	CAPACITOR, MYLAR .33 μF ± 10%	C14	1	26, 27, 74
14	DIODE, IN3189	CRI	1	2, 6, 30, 68
15	CAPACITOR, MYLAR .001 μF ± 10%	(P5) C1, C2	2	26, 27, 74

NO. REV.	DRAWING NO.	DESCRIPTION	REFERENCE DESIGNATION	ITEM NO.
MATERIAL LIST				
NOTES UNLESS SPECIFIED		DRAWN	C. CASTRO	5-13-63
1. TOLERANCES UNLESS SPECIFIED		CHECK	(S) [Signature]	5/15/63
2. DIMENSIONS ARE IN INCHES UNLESS OTHERWISE SPECIFIED		APPR.	[Signature]	5/16/63
3. BREAK ALL SHARP CORNERS				
4. DIMENSIONS ARE TO CENTER UNLESS OTHERWISE SPECIFIED				
5. ALL DIM. IN DIMENSIONS				
MODEL NO.		9136/92340		
NEXT ASST.				
		SDS ENGINEERING DATA SYSTEMS 1545 FIFTEENTH STREET, SANTA MONICA, CALIFORNIA		
		SCHEMATIC, TAPE PERFORATOR		
		SIZE	DWG NO.	J
		D	101163	J
		SCALE	DO NOT SCALE DRAWING	SHEET 2 OF 2

101163 J1

REVISIONS			
REV	DESCRIPTION	CHK	DATE
	SEE SHEET ONE		

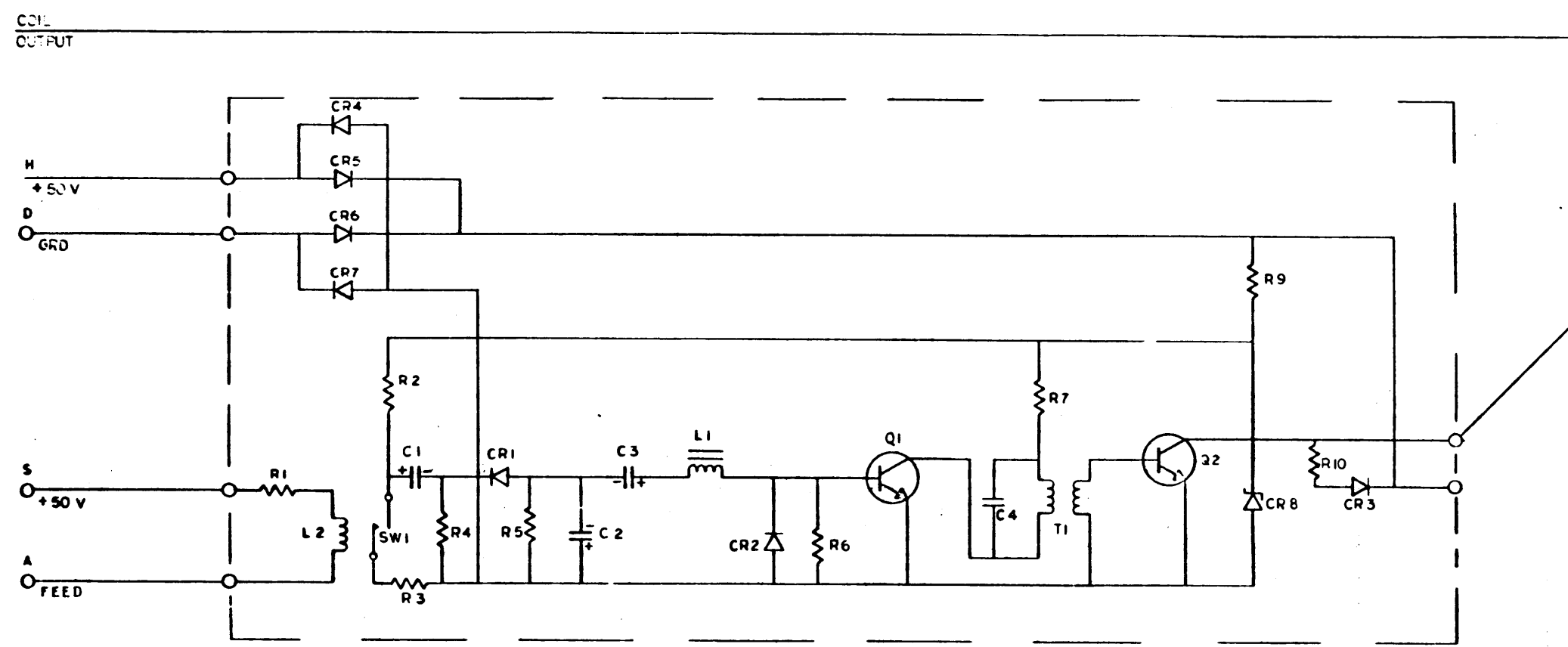
REPLACEMENT PARTS LIST

ITEM	DESCRIPTION	DESIGNATION	QTY	SUPPLIER CODE (SEE INDEX)
1	RESISTOR, 10Ω ± 2%	(TD) R1, R2 (F3) R19	2	36,38,73
2	RESISTOR, WW, 150Ω ± 1%	(TB) R3 THRU R13	11	58, 69
3	RESISTOR, 270Ω ± 2%	(TD) R18, R19	2	36,38,73
4	INDUCTOR, 220 μH ± 5%	(TD) L1, L2	2	42,90,91
5	CAPACITOR, OIL, 1 μF ± 20% 1000V	(TE) C1	1	80, 81
6	CAPACITOR, TANTALUM, 150 μF ± 20% 50V	(TE) C2 THRU C13	12	23, 77
7	RELAY, A.C. CNAS-13A/115 VAC	(TB) K1	1	79
8	FUSE, 3AG, 3AMP, 250V, SERIES AGC SERIES 311(000) & 312(000)	F1	1	49 4c
9	CONNECTOR, 34 PIN FEMALE #34-20S	P4	1	98
10	CONNECTOR, 34 PIN MALE #34-20P	J4	1	98
11	CORD, AC CORD #16-3 SPI-3 WITH PLUG #2-3	P1	1	101
12	RESISTOR, 100Ω ± 2%	R18	1	16,17
13				
14	DIODE, IN3189	CR1	1	2,6,30,58
15	CAPACITOR, MYLAR .001 μF ± 10%	(P5) C1, C2	2	26,27,74
16	RESISTOR, 250Ω 5W	R1	1	23
17	RESISTOR 1K	R2, R10	3	16,11,11
18	RESISTOR 10Ω	R3	1	16,11,11
19	RESISTOR 12Ω	R4	1	16,11,11
20	RESISTOR 470Ω	R5	1	16,11,11
21	DIODE CD15-9	CR1, CR2, CR3	3	14
22	DIODE SS875 SS 875	CR4, CR5, CR6, CR7	4	Ⓛ
23	INDUCTOR 1.6 HY 319000	L1	1	Ⓛ
24	INDUCTOR 165Ω J30566	L2	1	Ⓛ
25	TRANSFORMER 7 HY 317990	T1	1	Ⓛ
26	CAPACITOR .22 MFD	C1	1	22,23
27	CAPACITOR 4.7 MFD	C2	1	22
28	CAPACITOR 1.8 MFD	C3	1	22
29	CAPACITOR .5 MFD	C4	1	22
30	RESISTOR 630Ω	R6	1	16,11,11
31	RESISTOR 390Ω	R7	1	16,11,11
32	TRANSISTOR SMI947	Q1	1	1
33	TRANSISTOR 2N2102	Q2	1	7
34	SWITCH DRS-1	SW1	1	Ⓛ
35	RESISTOR 1K 1W	R9	1	230 152
36	DIODE, 222A, 22 V ± 10%	CR8	1	Ⓛ

Ⓛ DENOTES TALLY PART NUMBER


DWG NO.	DRAWING NO.	DESCRIPTION	REFERENCE DESIGNATION	ITEM NO.
MATERIAL LIST				
NOTES UNLESS SPECIFIED		DRAWN	5-13-63	
1. DIMENSIONS UNLESS SPECIFIED		CHECK	5/15/63	
2. DIMENSIONS UNLESS SPECIFIED		APPR	5/15/63	
3. DIMENSIONS UNLESS SPECIFIED				
4. DIMENSIONS UNLESS SPECIFIED				
SDS SCIENTIFIC DATA SYSTEMS 1842 FIFTEENTH STREET, SANTA ANITA, CALIFORNIA				
SCHEMATIC, TAPE PERFORATOR				
MODEL NO.	9136/92340	SIZE	D	DWG NO. 101163
NEXT ASSY.		SCALE		K
			DO NOT SCALE DRAWING	SHEET 2 OF 3

REVISIONS				
REV.	DESCRIPTION	CHK	DATE	APPROVED
1	SEE SHEET ONE			



ESCAPEMENT DRIVE ASSEMBLY

REV.	DRAWING NO.	DESCRIPTION	REFERENCE DESIGNATION	REV. NO.

NOTES UNLESS SPECIFIED		MATERIAL LIST		
1. TOLERANCES UNLESS SPECIFIED	DRAWN: <i>[Signature]</i>	 CDS CENTRIFUGAL DATA SYSTEMS SANTA MONICA, CALIFORNIA		
2. DIMENSIONS UNLESS SPECIFIED	CHECK: <i>[Signature]</i>			
3. CHECK ALL DIMENSIONS AND FITS	APPR: <i>[Signature]</i>			
4. HOLE SURFACES		TITLE		
5. HOLE DRILLING		SCHEMATIC, TAPE PERFORATOR		
6. HOLE DRILLING		SCALE	DO NOT SCALE DRAWING	SHEET 3 OF 3
7. HOLE DRILLING		9136/92340	D 101163	K